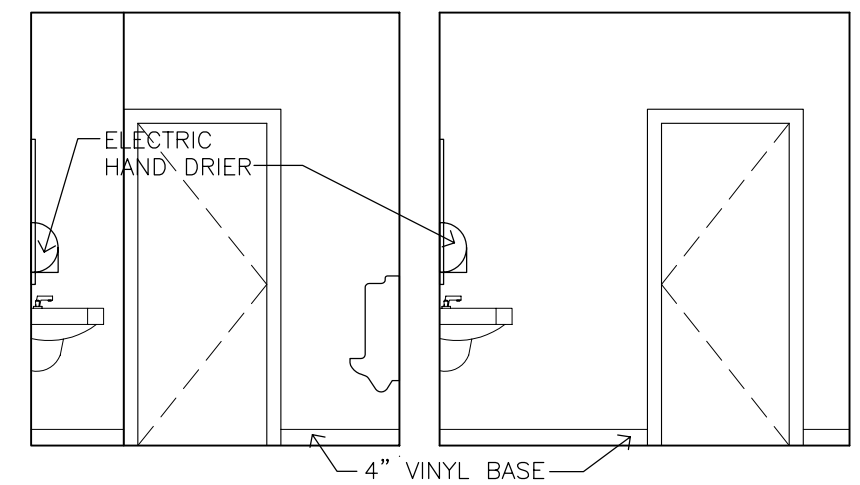


A ELEV
SCALE: 1/4" = 1'-0"

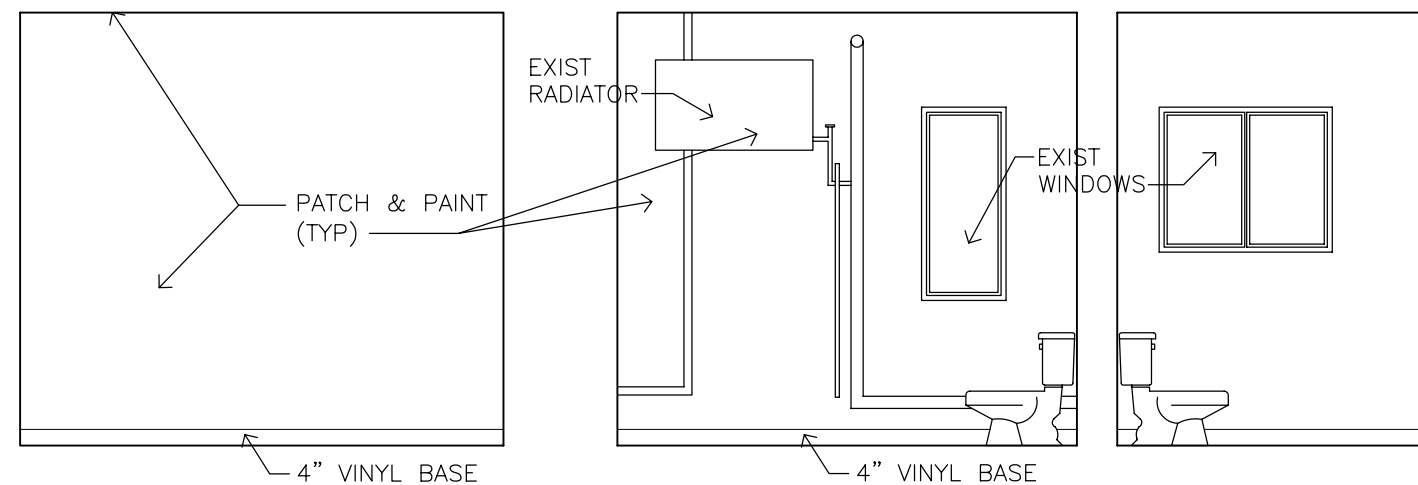
B ELEV
SCALE: 1/4" = 1'-0"

C ELEV
SCALE: 1/4" = 1'-0"

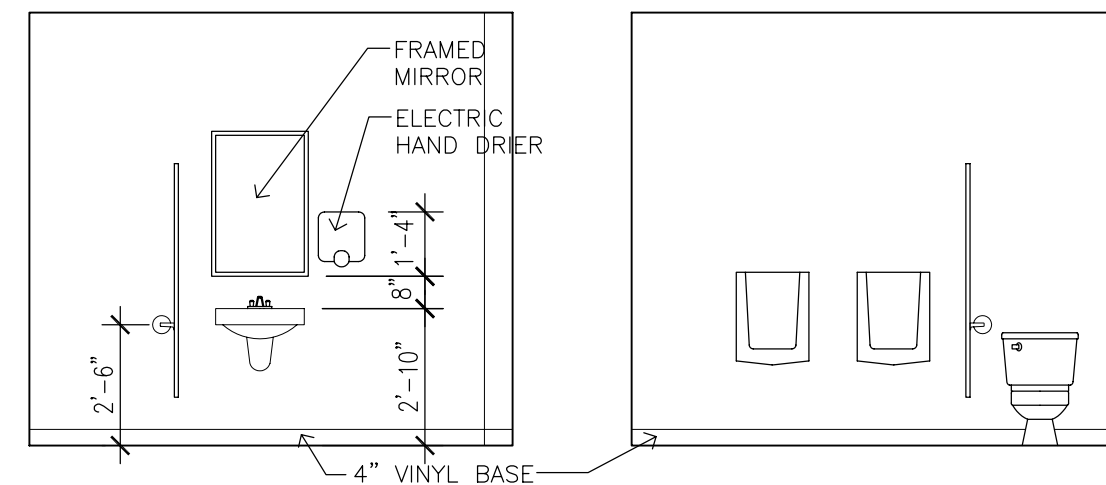
D ELEV
SCALE: 1/4" = 1'-0"



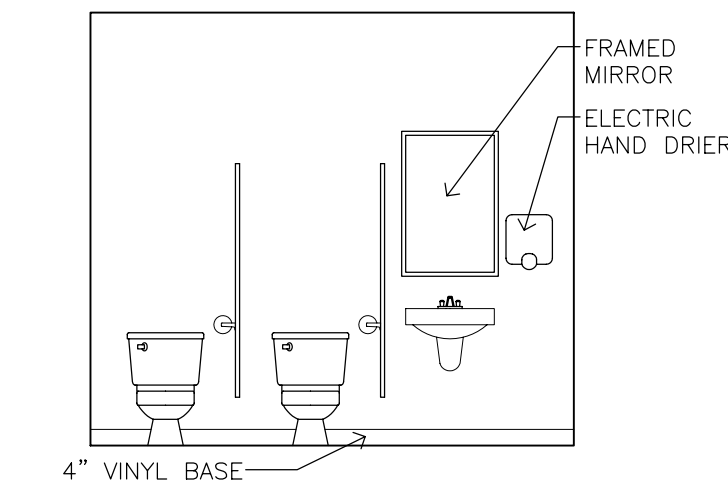
E ELEV
SCALE: 1/4" = 1'-0"



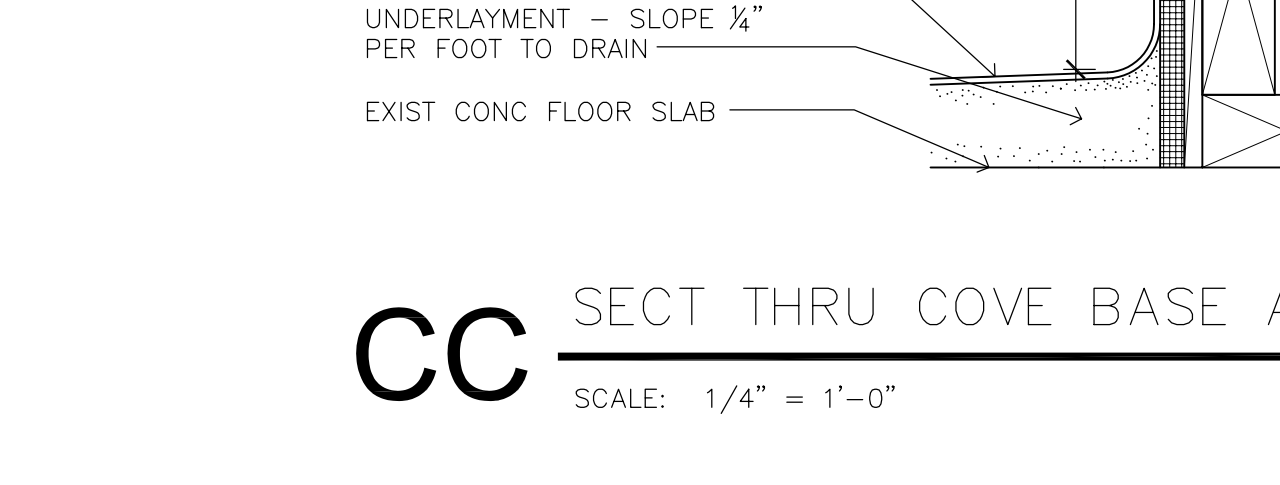
F ELEV
SCALE: 1/4" = 1'-0"



G ELEV
SCALE: 1/4" = 1'-0"

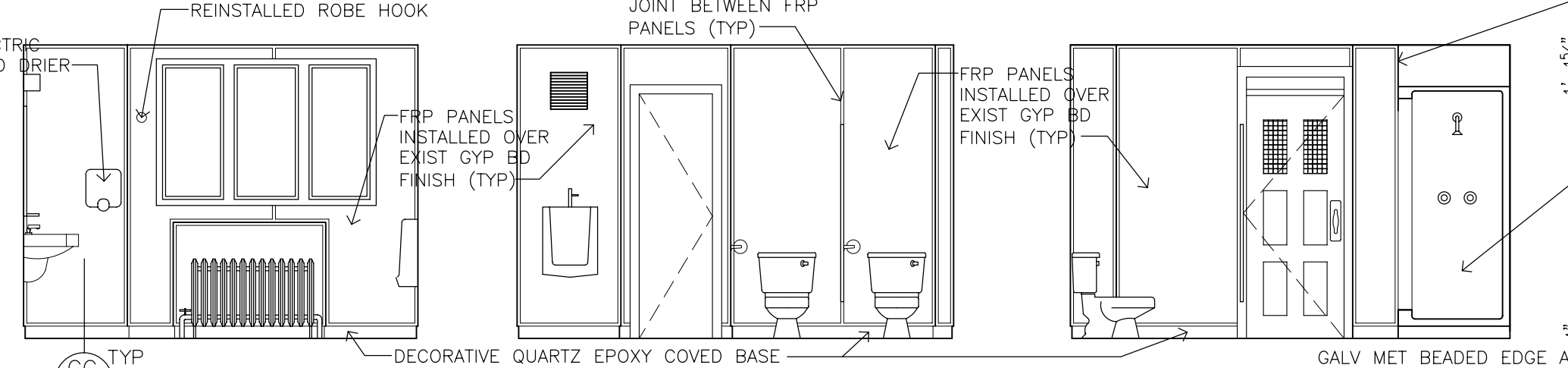


H ELEV
SCALE: 1/4" = 1'-0"



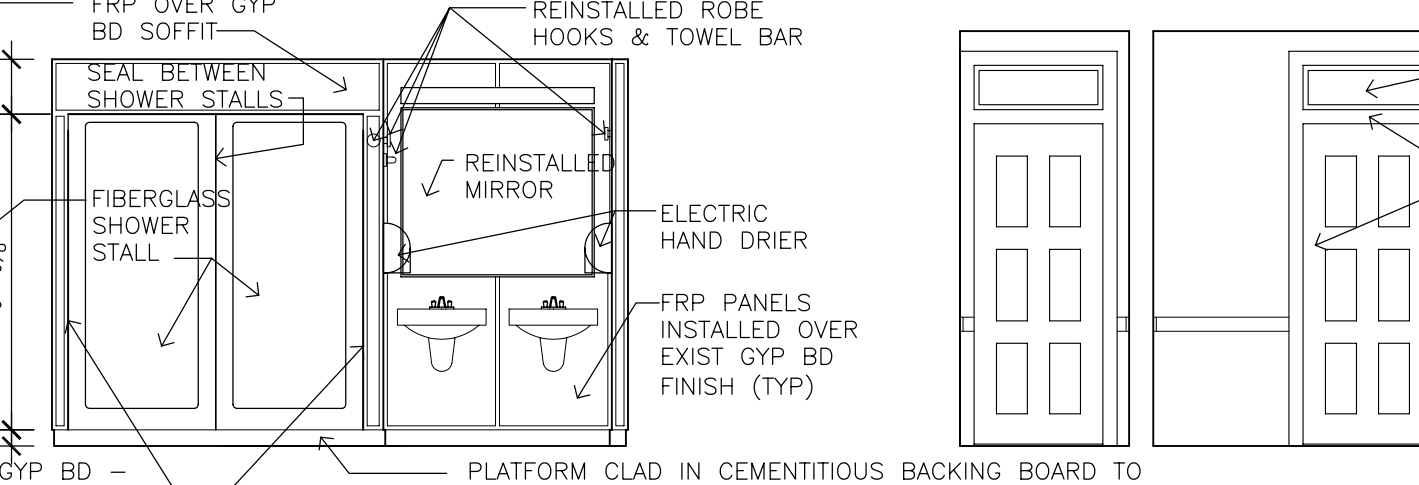
J ELEV
SCALE: 1/4" = 1'-0"

K ELEV
SCALE: 1/4" = 1'-0"



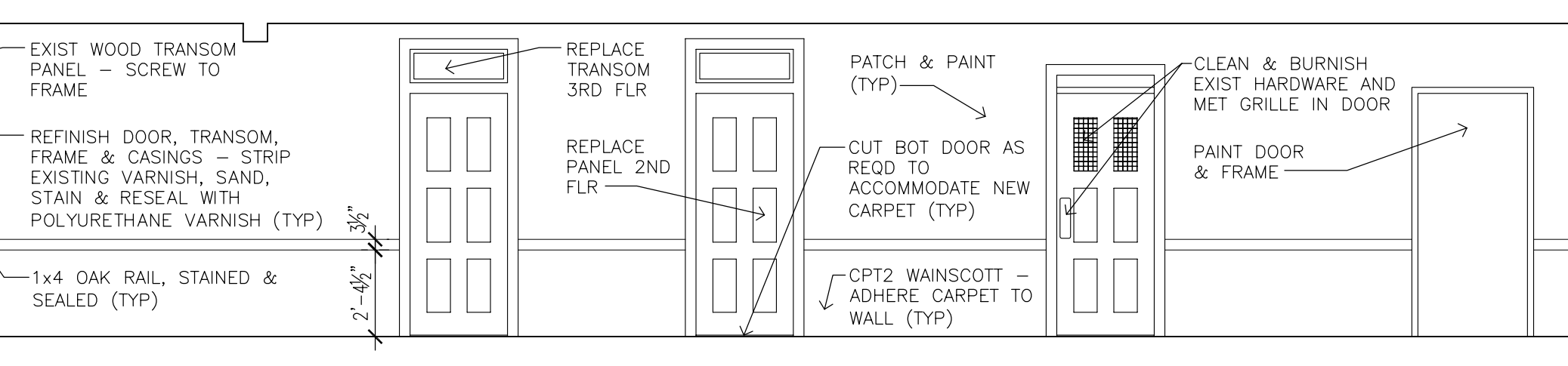
L ELEV
SCALE: 1/4" = 1'-0"

M ELEV
SCALE: 1/4" = 1'-0"

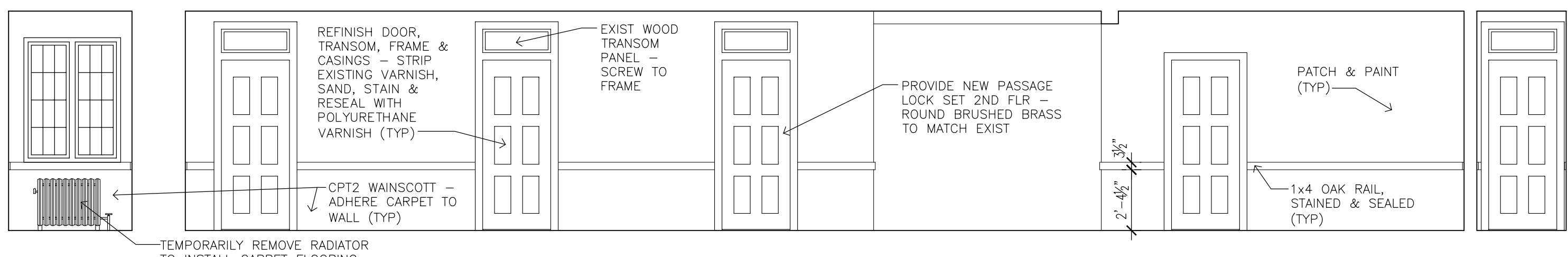


N ELEV
SCALE: 1/4" = 1'-0"

P ELEV
SCALE: 1/4" = 1'-0"

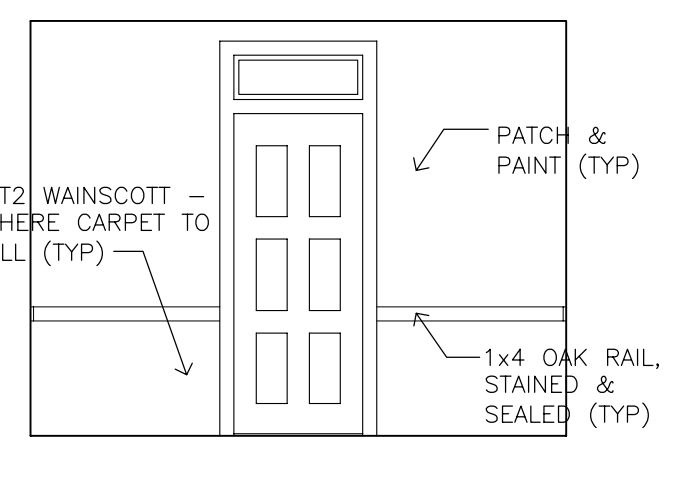


Q ELEV 2nd & 3rd FLR HALLWAY LOOKING NORTH
SCALE: 1/4" = 1'-0"

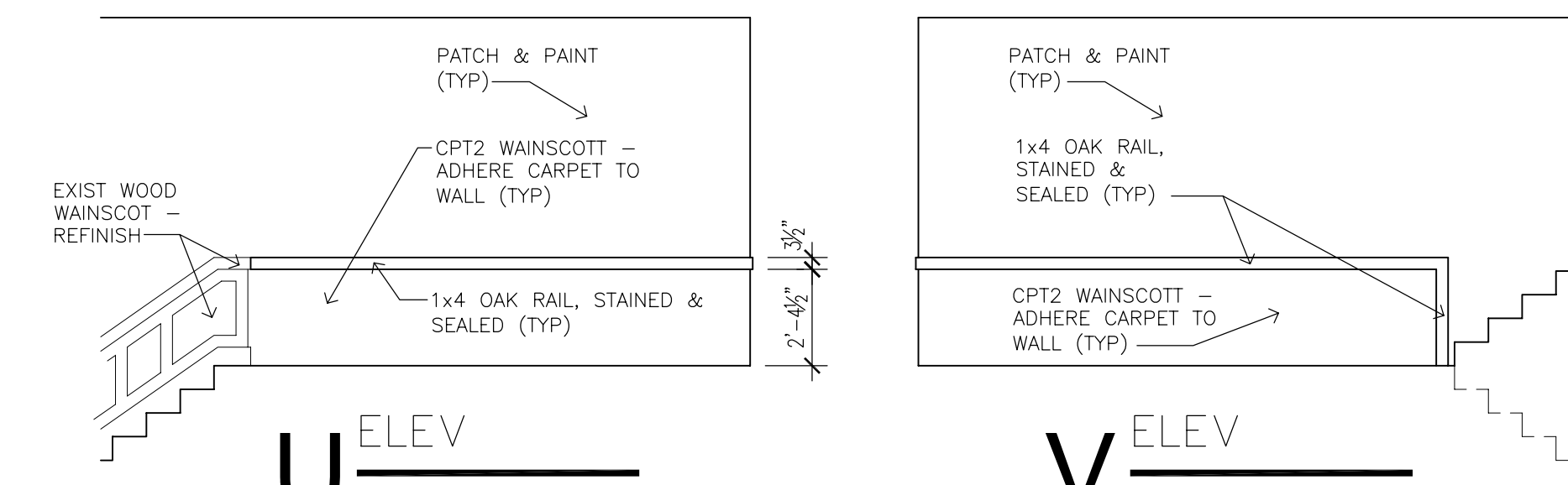


R ELEV
SCALE: 1/4" = 1'-0"

S ELEV 2nd & 3rd FLR HALLWAY LOOKING NORTH
SCALE: 1/4" = 1'-0"

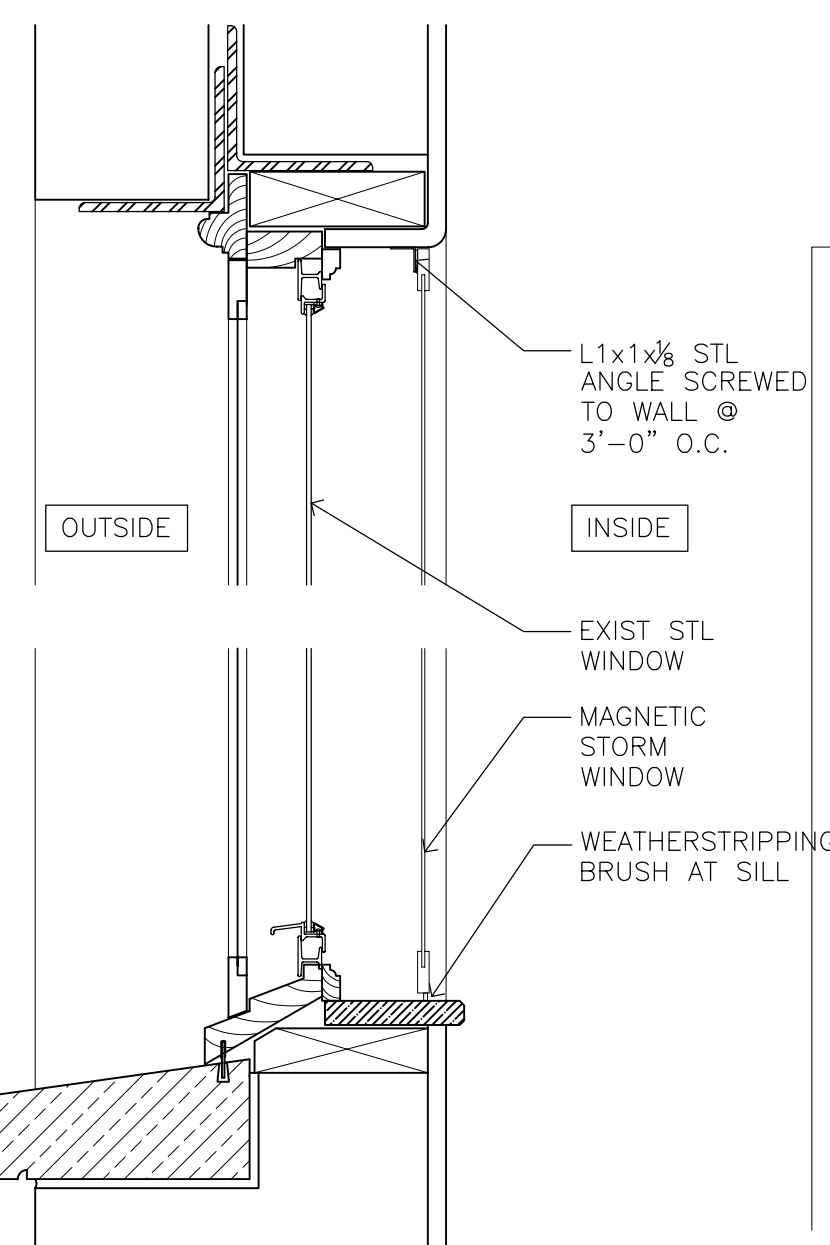


T ELEV
SCALE: 1/4" = 1'-0"

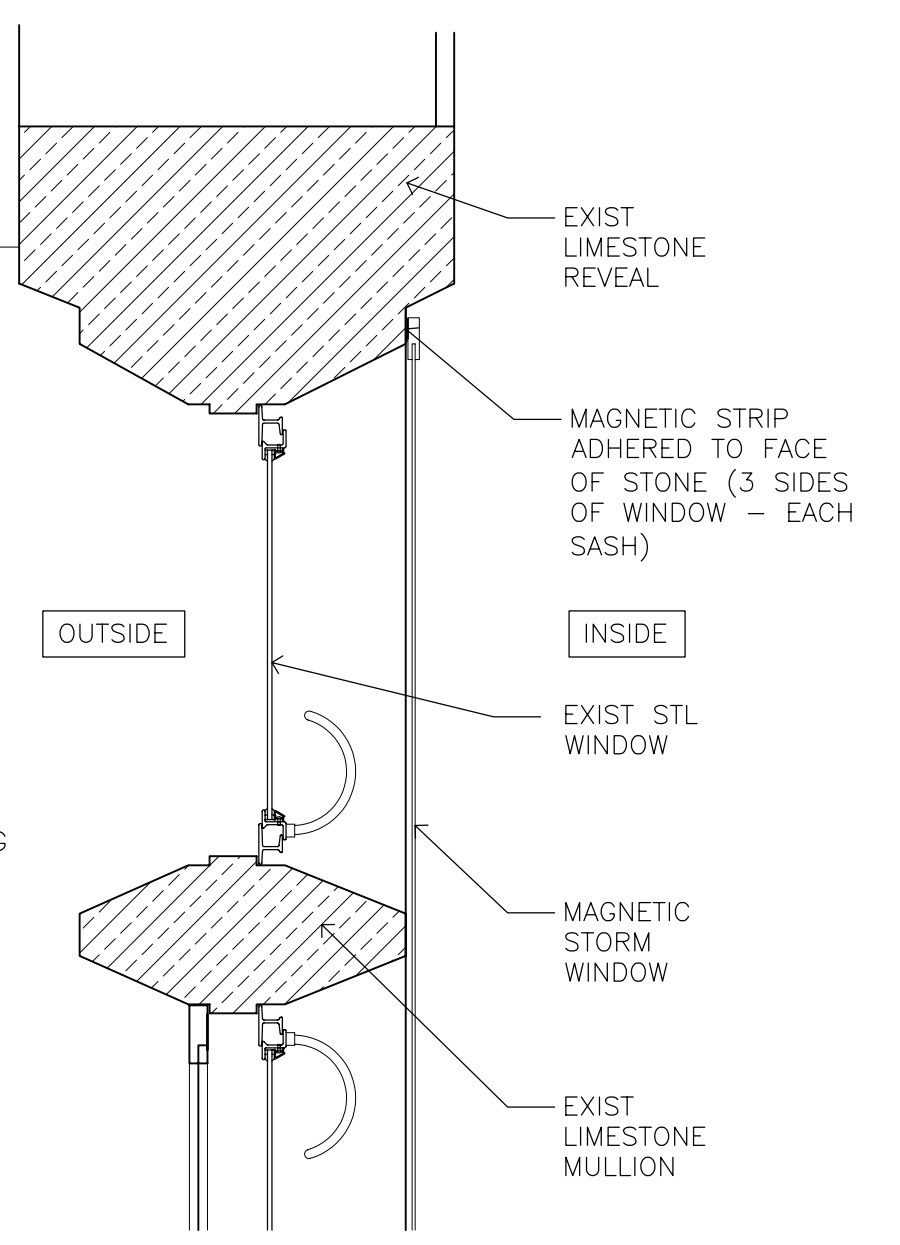


U ELEV
SCALE: 1/4" = 1'-0"

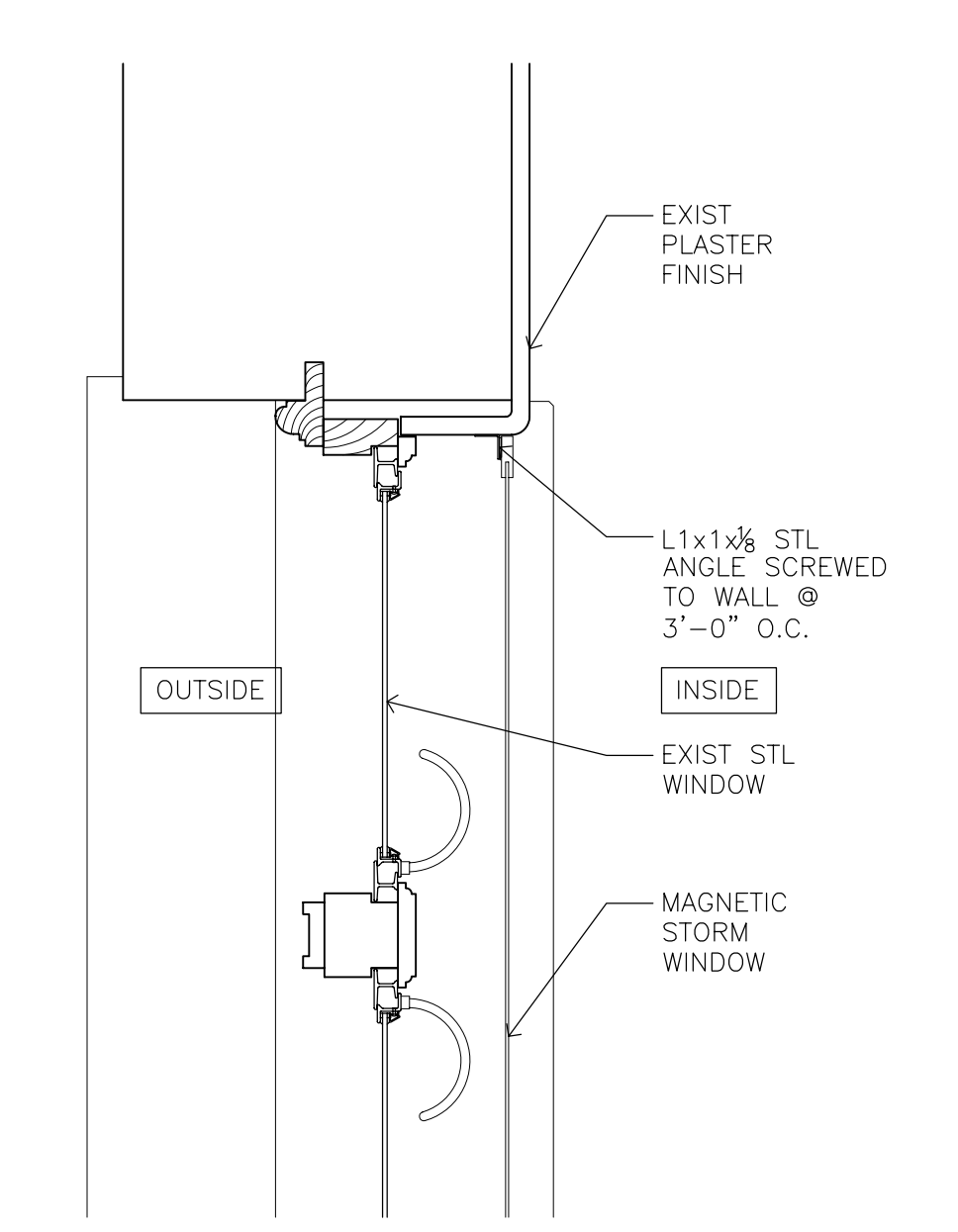
V ELEV
SCALE: 1/4" = 1'-0"



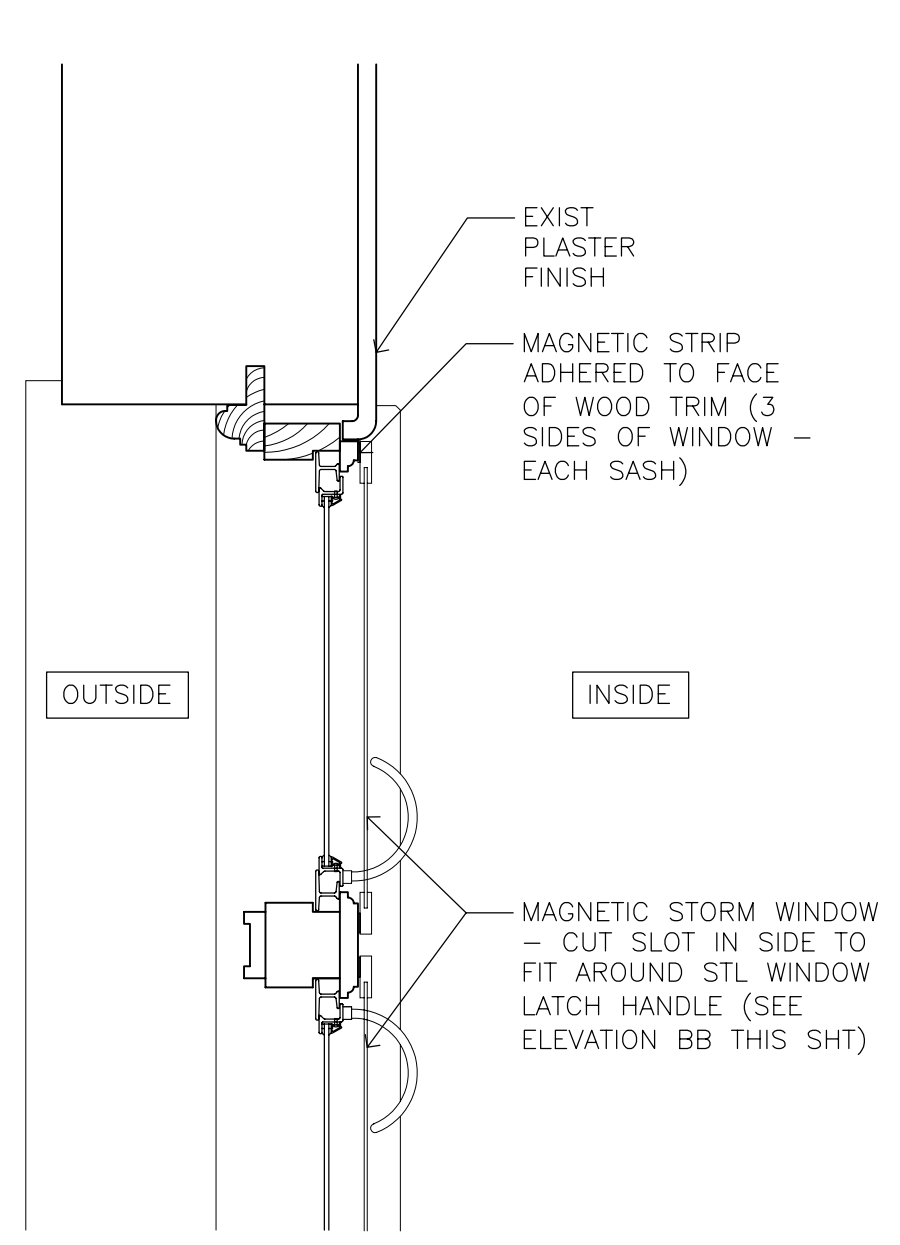
W SECT THRU TYP WINDOW
SCALE: 1 1/2" = 1'-0"



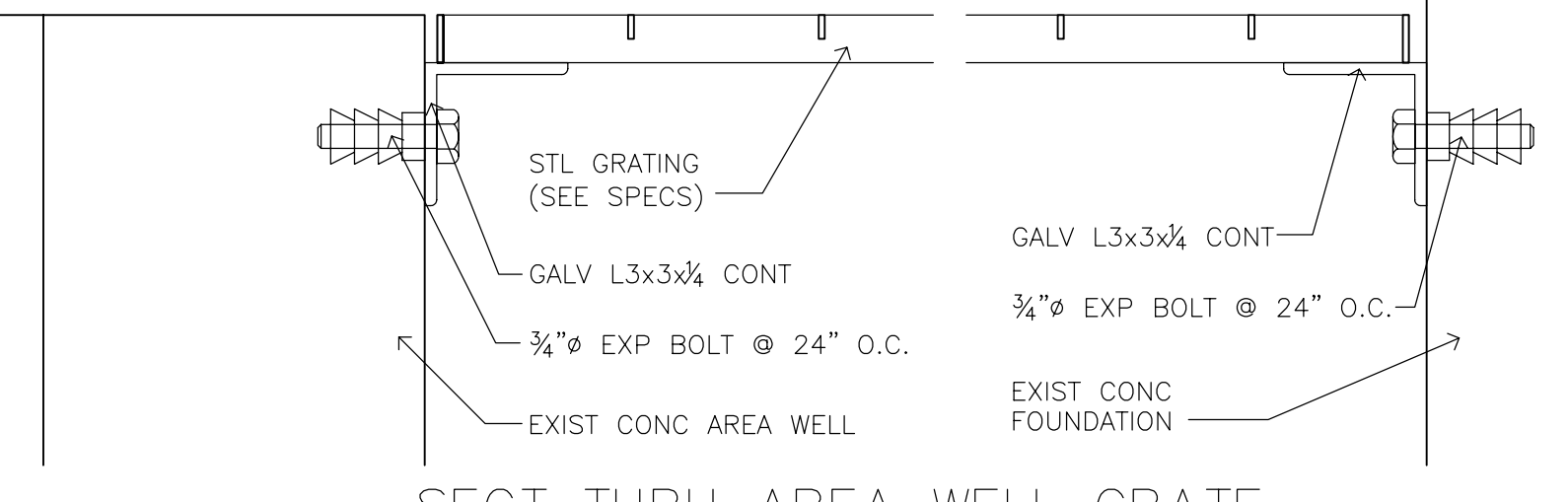
X PLAN OF TYP WINDOW AT LIMESTONE REVEAL STORM WINDOW TYPE A
SCALE: 1 1/2" = 1'-0"



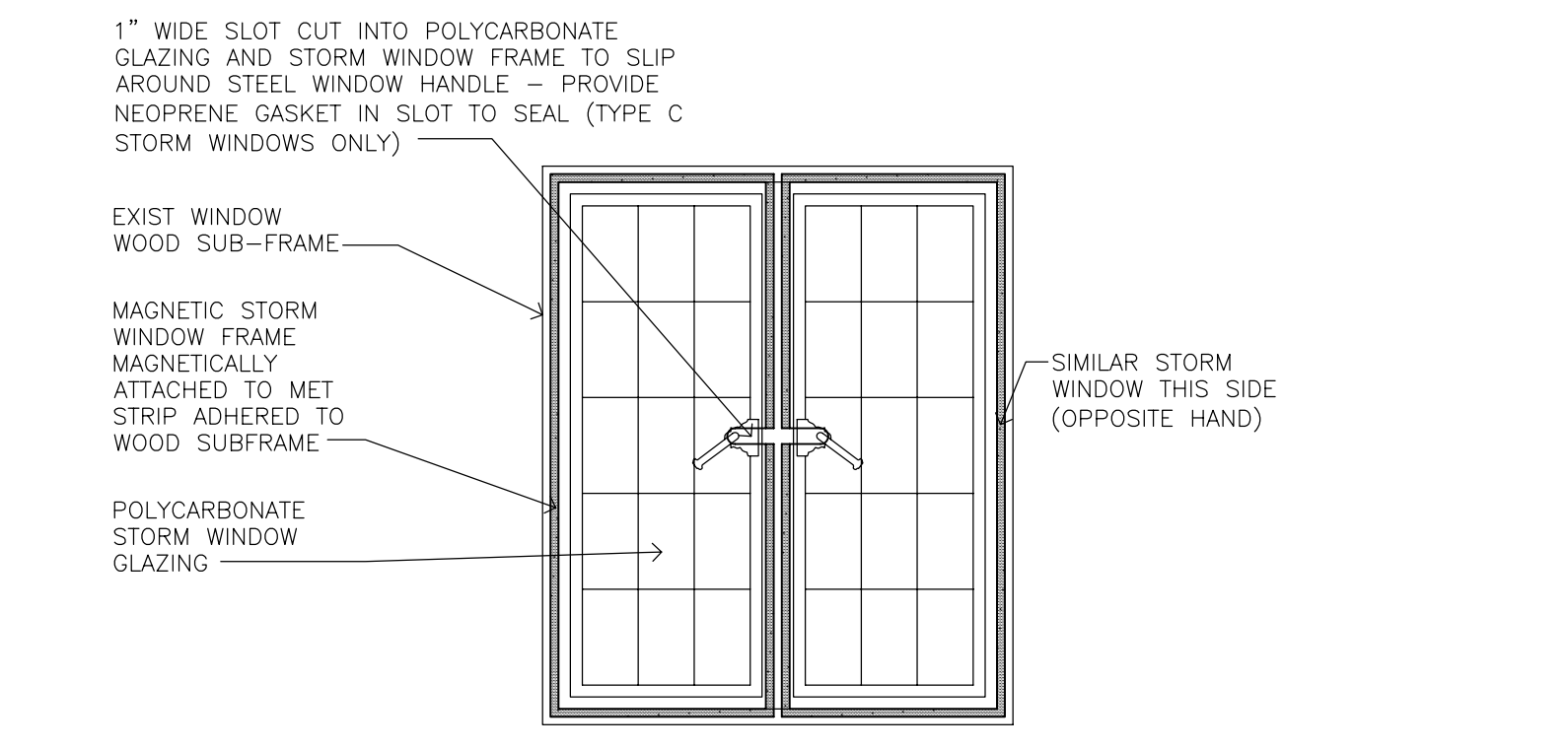
Y PLAN OF TYP WINDOW AT 17" THICK WALL STORM WINDOW TYPE B
SCALE: 1 1/2" = 1'-0"



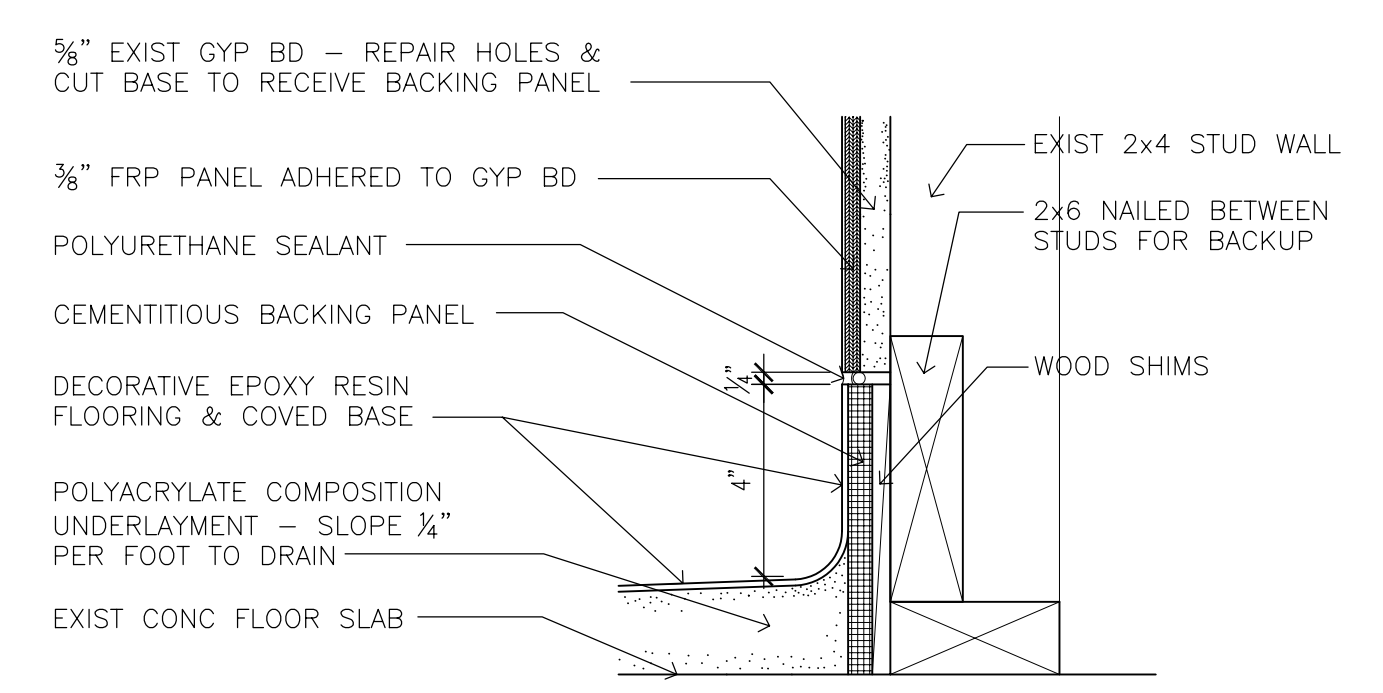
Z PLAN OF TYP WINDOW AT 13" THICK WALL STORM WINDOW TYPE C
SCALE: 1 1/2" = 1'-0"



AA SECT THRU AREA WELL GRATE
SCALE: 3" = 1'-0"



BB INT ELEV OF STORM WINDOW TYPE C SHOWING SLOT AROUND HANDLE
SCALE: 1/2" = 1'-0"



CC SECT THRU COVE BASE AT BATHROOMS
SCALE: 1/4" = 1'-0"

HEITZMAN ARCHITECTS
111 NORTH MARION STREET, OAK PARK, ILLINOIS 60454
PHONE: (708) 848-8844
FAX: (708) 848-8845
email: heitzman@comcast.net

ELEVATIONS & DETAILS

ALPHA DELTA PHI FRATERNITY
5747 SOUTH UNIVERSITY AVENUE
CHICAGO, ILLINOIS 60647

I HEREBY CERTIFY THAT THESE PLANS WERE PREPARED UNDER MY DIRECT SUPERVISION AND TO THE BEST OF MY PROFESSIONAL KNOWLEDGE THEY CONFORM TO THE CHICAGO BUILDING CODE

FRANK E. HEITZMAN
ARCHITECT
ILLINOIS REGISTRATION NUMBER: 01-8255



A301