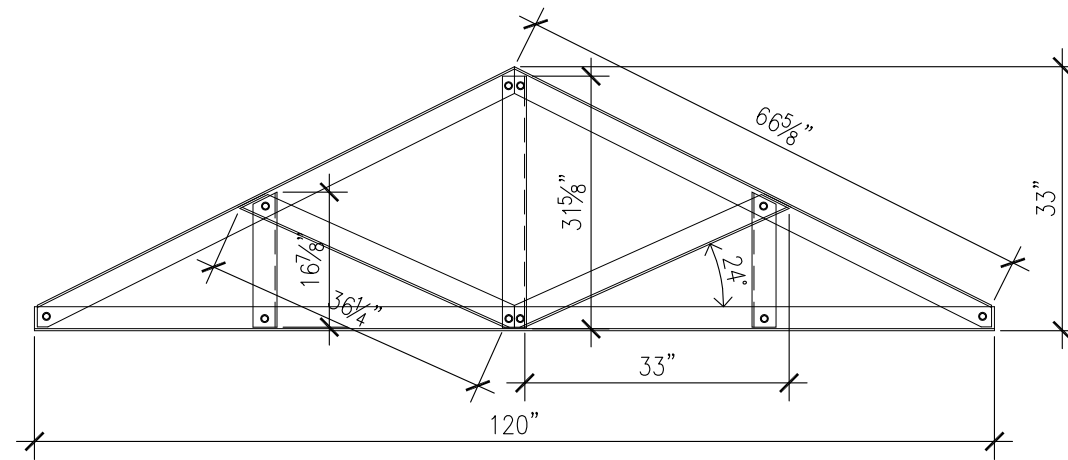


MATERIAL LIST:

TEAM NE: QUEEN TRUSS

CHORD MEMBERS: L 3"x3"x1/4"  
 LENGTH: \_\_\_\_\_  
 NUMBER EACH: \_\_\_\_\_

1/2"Ø HHMB:  
 WASHERS:  
 NUTS:

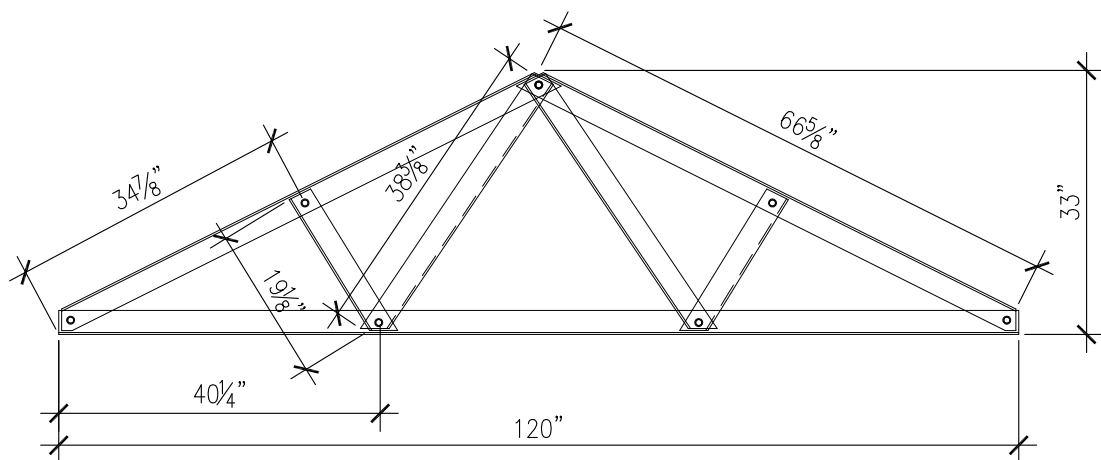


MATERIAL LIST:

TEAM SE: HOWE TRUSS

CHORD MEMBERS: L 3"x3"x1/4"  
 LENGTH: \_\_\_\_\_  
 NUMBER EACH: \_\_\_\_\_

1/2"Ø HHMB:  
 WASHERS:  
 NUTS:

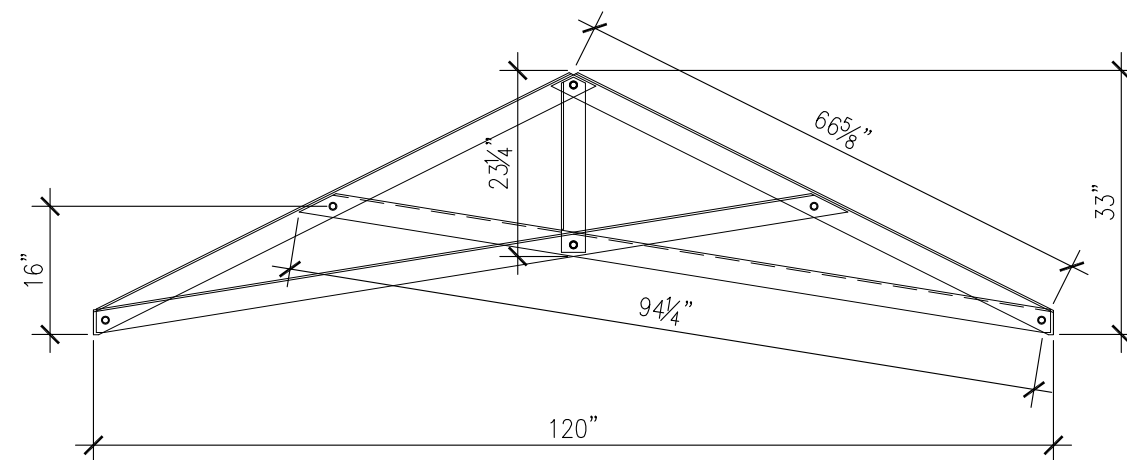


MATERIAL LIST:

TEAM NW: FINK TRUSS

CHORD MEMBERS: L 3"x3"x1/4"  
 LENGTH: \_\_\_\_\_  
 NUMBER EACH: \_\_\_\_\_

1/2"Ø HHMB:  
 WASHERS:  
 NUTS:



MATERIAL LIST:

TEAM SW: SCIZZORS TRUSS

CHORD MEMBERS: L 3"x3"x1/4"  
 LENGTH: \_\_\_\_\_  
 NUMBER EACH: \_\_\_\_\_

1/2"Ø HHMB:  
 WASHERS:  
 NUTS:

NOTE:  
 ALL AVAILABLE STEEL ANGLES  
 ARE 120" LONG MAXIMUM