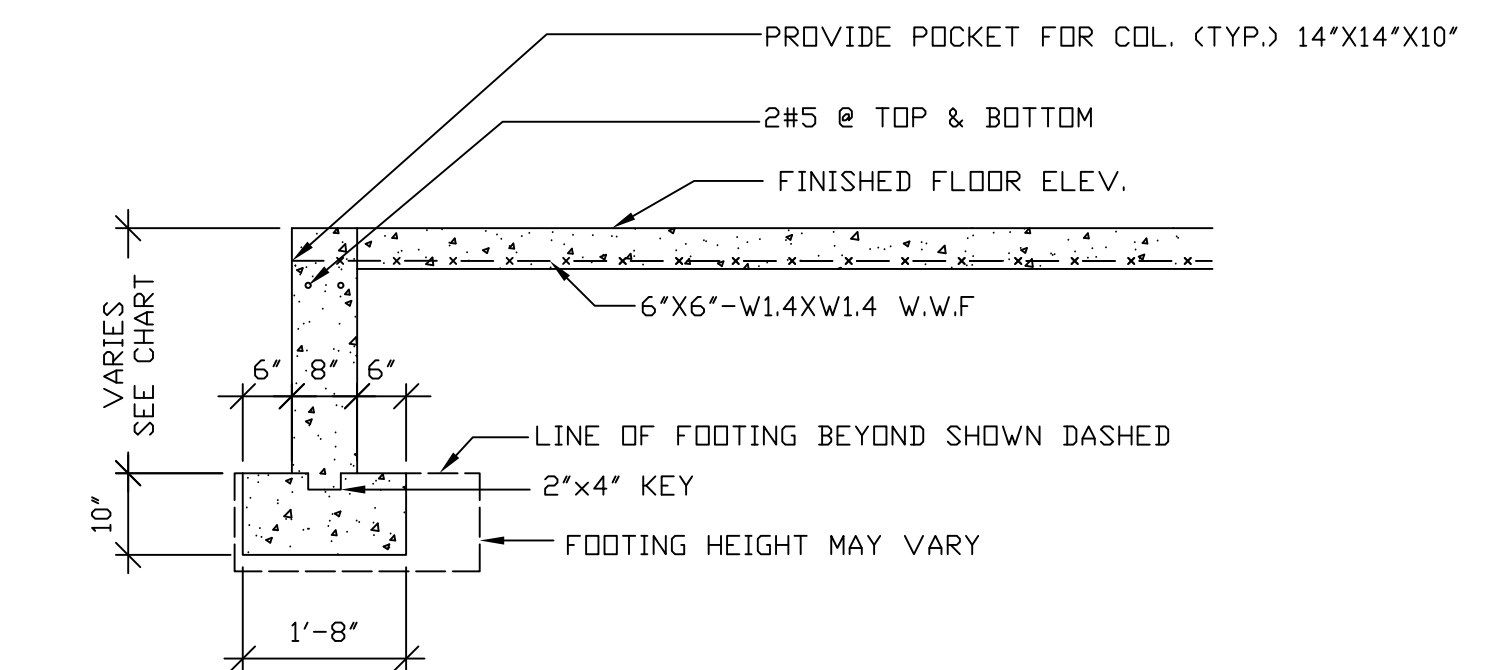
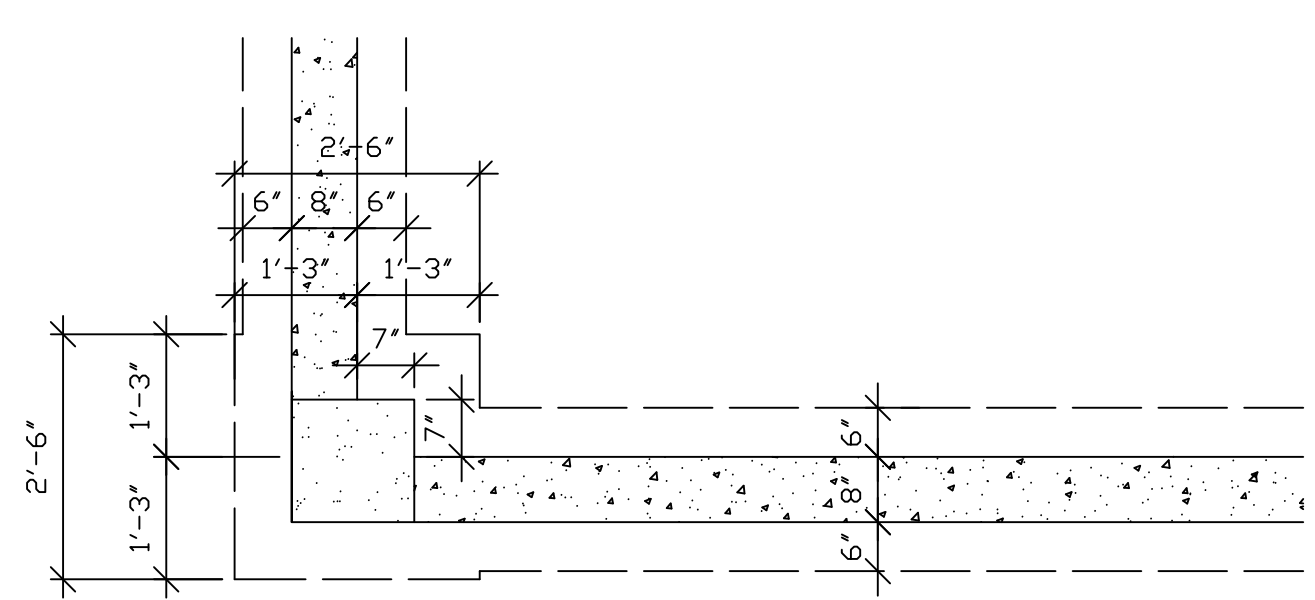


A FOUNDATION PLAN
SCALE 1/4" = 1'-0"

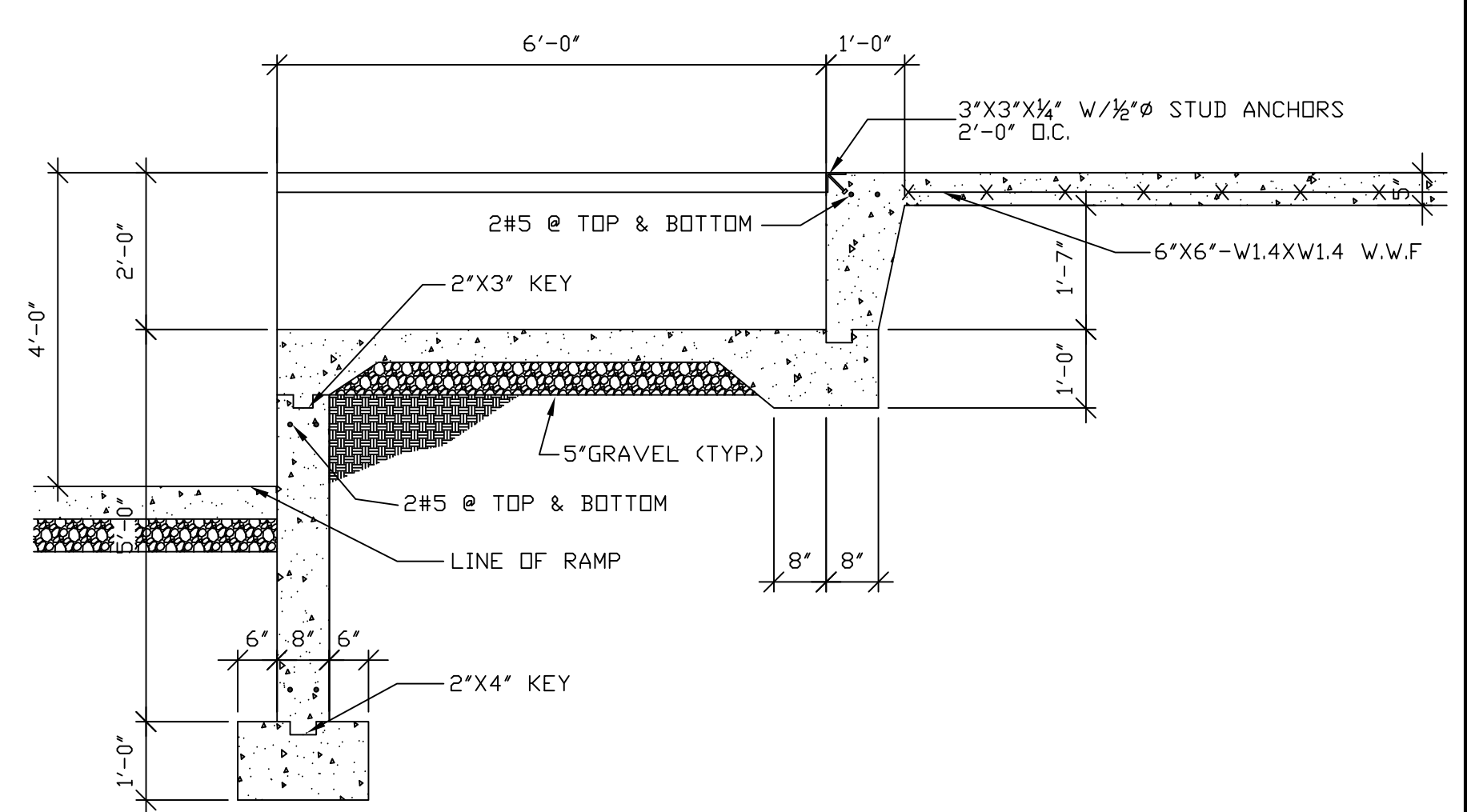
FOOTING SCHEDULE					
MARK	LENGTH	WIDTH	DEPTH	ELEV. (TOP OF FTG.)	REINFORCING BOTH WAYS
F1	4'-0"	4'-0"	1'-0"	-3'-2"	9-#4 @ 5 1/2" O.C.
F2	3'-0"	3'-0"	1'-0"	-3'-2" AT C2 & C3	5-#4 @ 7 1/2" O.C.
F3	2'-6"	2'-6"	1'-0"	-3'-2"	5-#4 @ 6" O.C.



C TYPICAL WALL SECTION
SCALE 1/2" = 1'-0"



C SECTION @ FOUNDATION / FOOTING
SCALE 1/2" = 1'-0"



B SECTION & DOCK LEVELER
SCALE 1/2" = 1'-0"

GRADE		
LINE WT	LETTERING	COMPOSIT.

CLASS	
COURSE:	ARC 141
SECTION:	
INSTRUCTOR:	ED KLUYPERS

TRITON COLLEGE
2000 FIFTH AVENUE
RIVER GROVE, ILLINOIS 60171-1995 (708) 456-0300

IDENTIFICATION	
DRAWN BY:	RADEK OPLUSTIL
DATE:	9-10-02

PROJECT	
GOLD	MANUFACTURING PLANT & OFFICES

SHEET
6