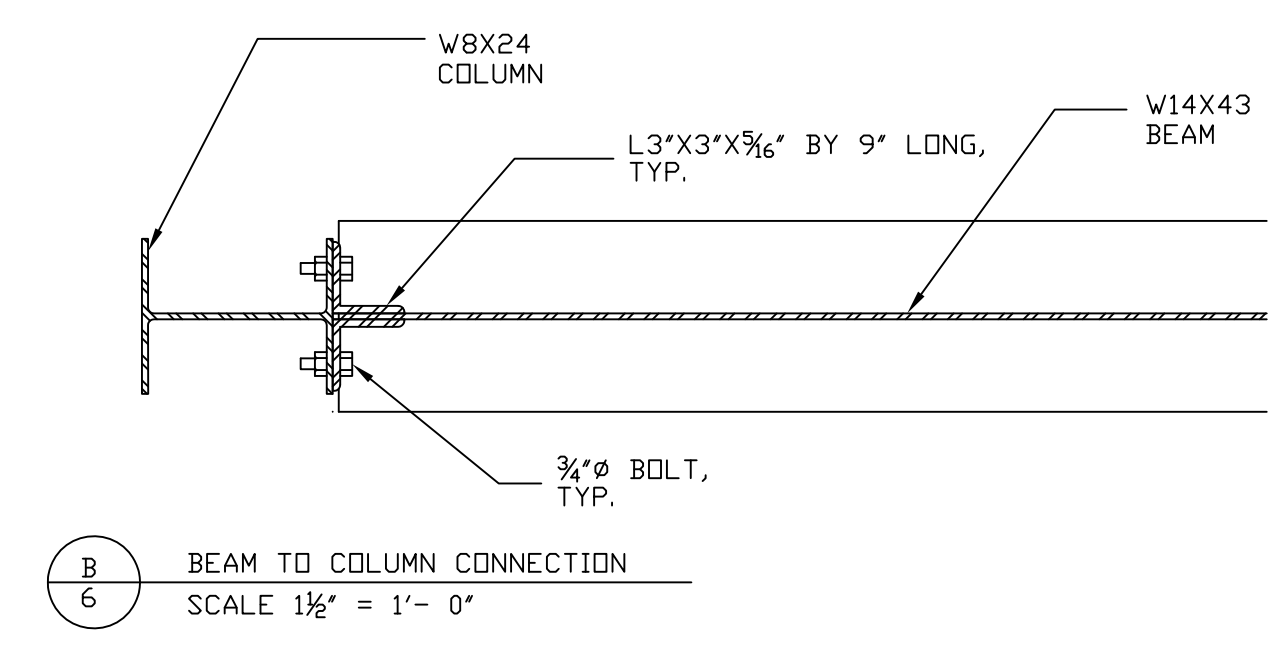
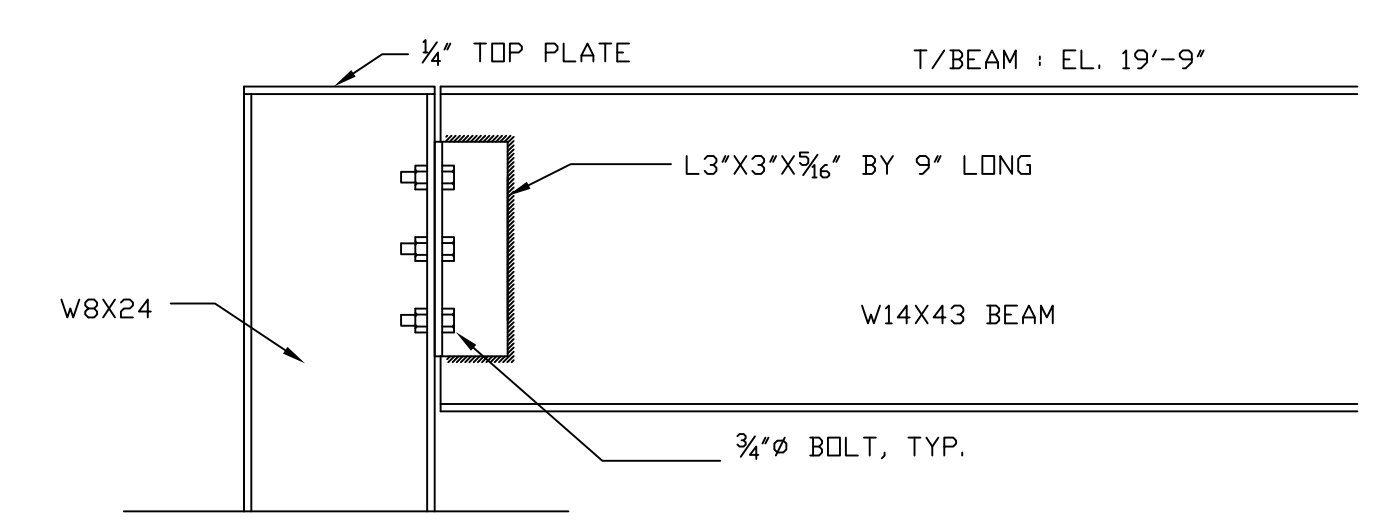


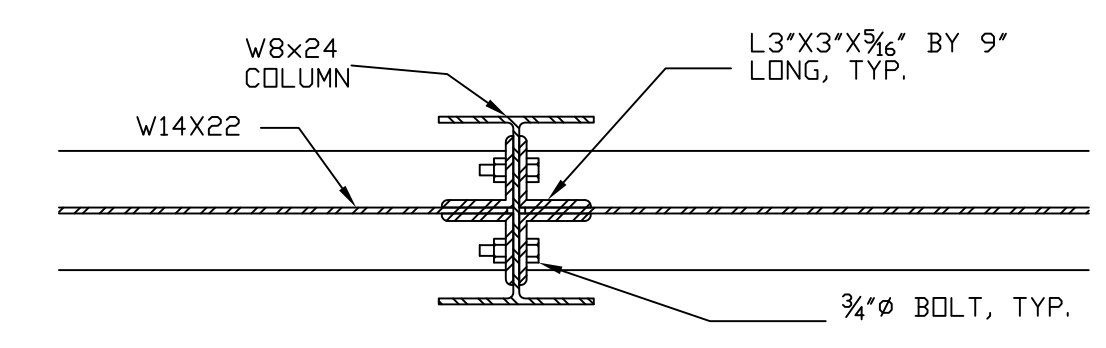
**A**  
**6** STEEL FRAMING PLAN  
SCALE 1/4" = 1'-0"



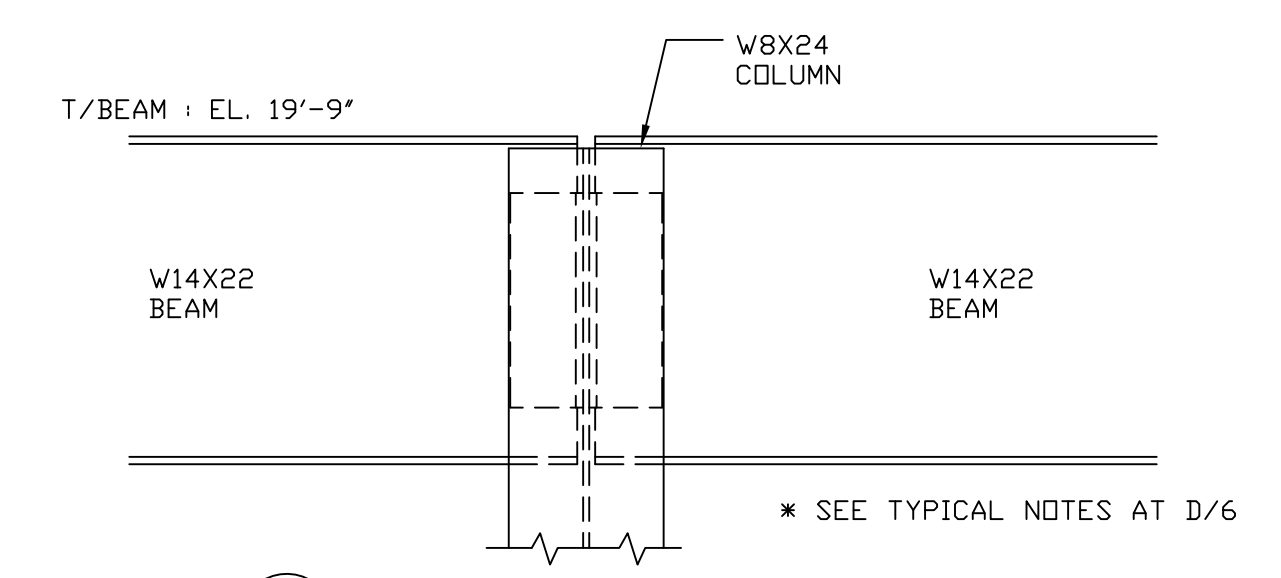
**B**  
**6** BEAM TO COLUMN CONNECTION  
SCALE 1 1/2" = 1'-0"



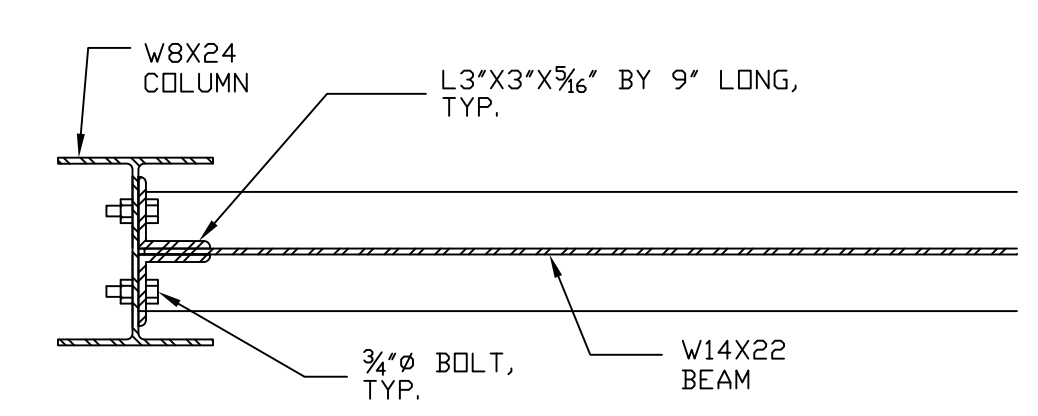
**C**  
**6** ELEVATION DETAIL AT B/6  
SCALE 1 1/2" = 1'-0"



**D**  
**6** BEAM TO COLUMN CONNECTION  
SCALE 1 1/2" = 1'-0"



**E**  
**6** ELEVATION DETAIL AT D/6  
SCALE 1 1/2" = 1'-0"



**F**  
**6** BEAM TO COLUMN CONNECTION  
SCALE 1 1/2" = 1'-0"

LINE WT	LETTERING	COMPOSIT.

CLASS
COURSE: ARC 120
SECTION:
INSTRUCTOR: HEITZMAN



IDENTIFICATION
DRAWN BY: RADEK OPLUSTIL
DATE: 9-11-02

PROJECT
GOULD MANUFACTURING PLANT & OFFICES