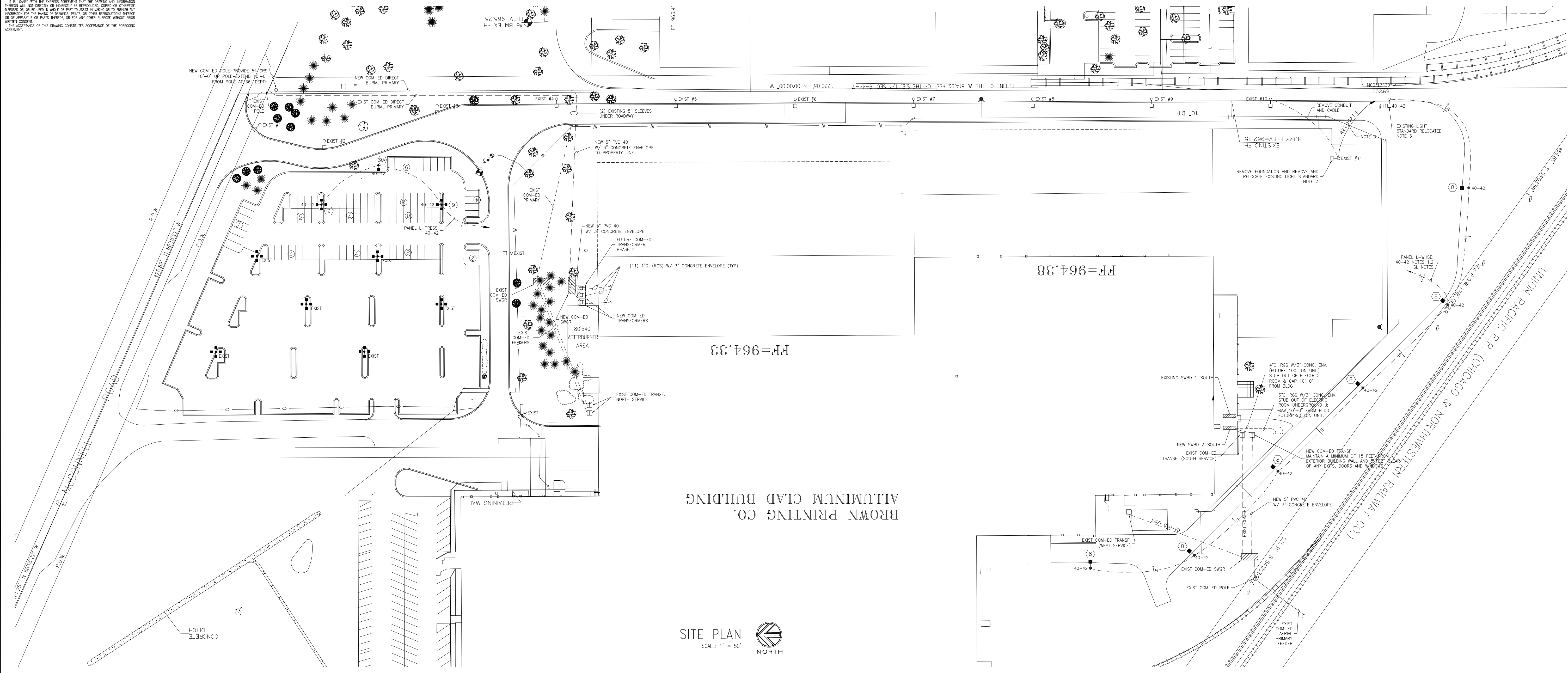


THIS DRAWING IS THE PROPERTY OF TMS. NO PART OF THIS DRAWING IS TO BE REPRODUCED OR TRANSMITTED IN ANY FORM OR BY ANY MEANS, ELECTRONIC OR MECHANICAL, INCLUDING PHOTOCOPYING, RECORDING, OR BY ANY INFORMATION STORAGE AND RETRIEVAL SYSTEM, WITHOUT THE WRITTEN PERMISSION OF TMS. THE ACCEPTANCE OF THIS DRAWING CONSTITUTES ACCEPTANCE OF THE FOREGOING AGREEMENT.



**BROWN PRINTING CO.
ALUMINUM CLAD BUILDING**

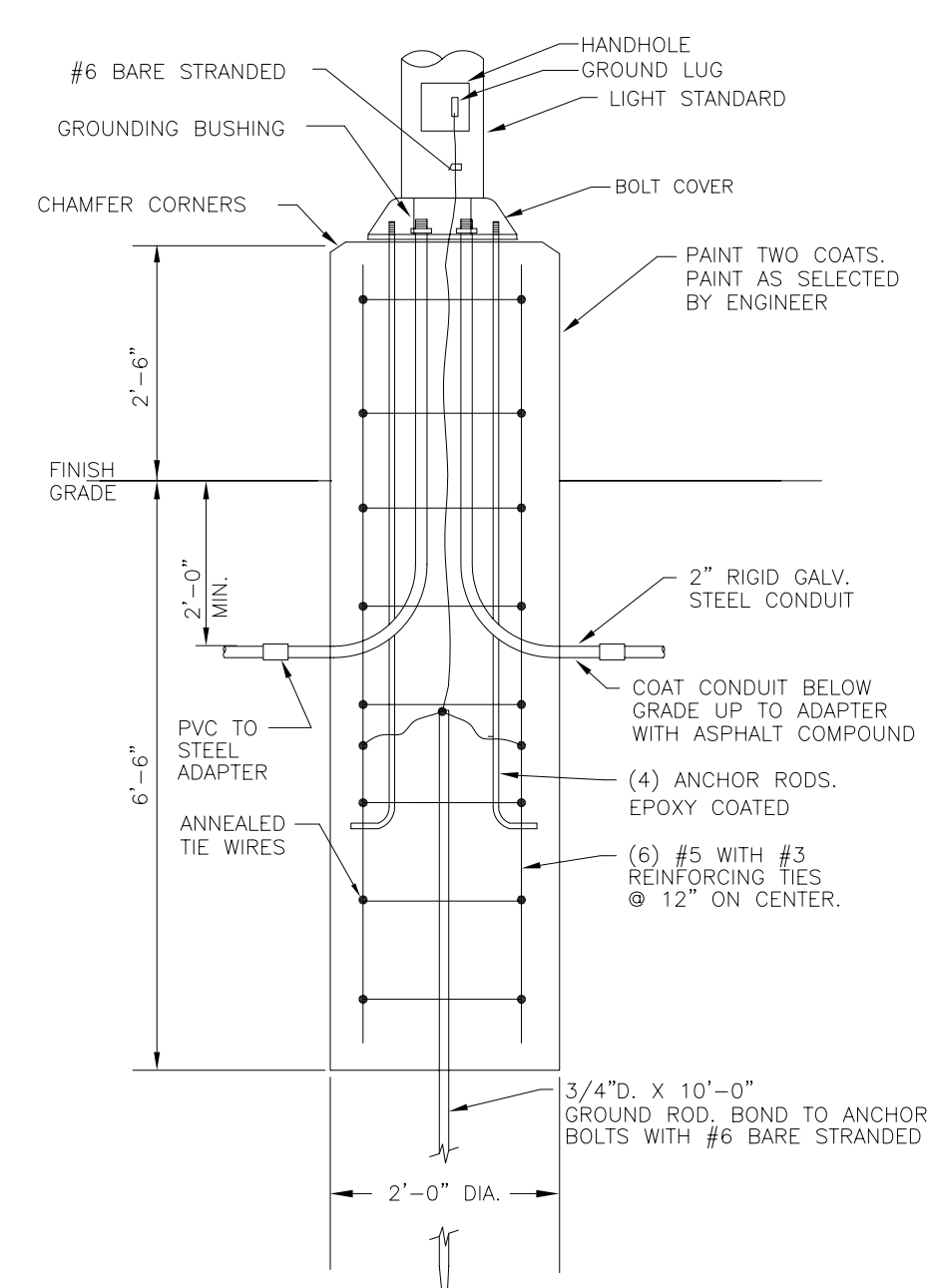
SITE PLAN
SCALE: 1" = 50'

SITE LIGHTING NOTES

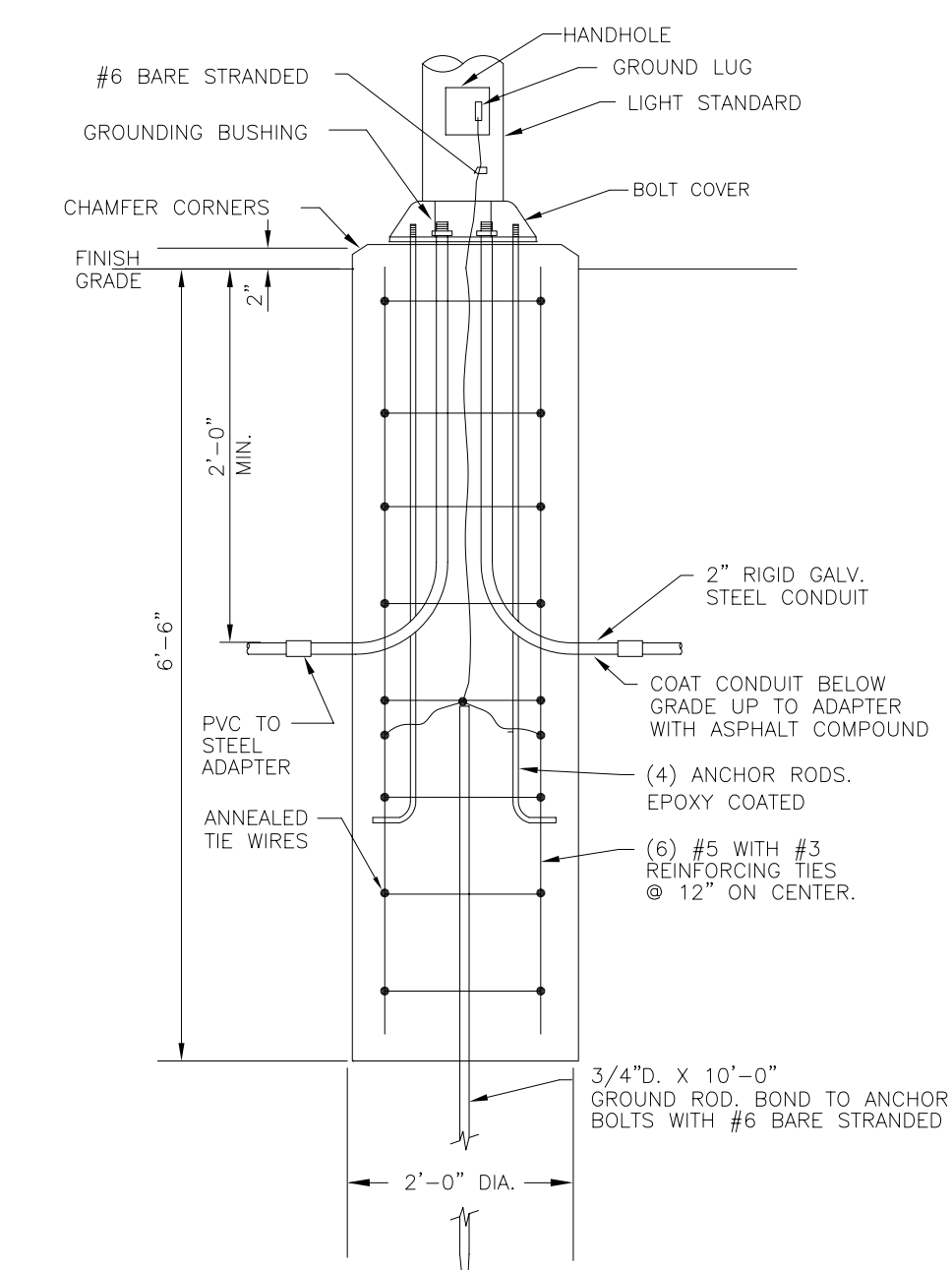
- SL-1. ALL SITE LIGHTING POLES SHALL BE CERTIFIED BY POLE MANUFACTURER AND/OR REGISTERED STRUCTURAL ENGINEER EMPLOYED BY THE ELECTRICAL CONTRACTOR TO BE CAPABLE OF WITHSTANDING A 100 MPH WIND WITH A SAFETY FACTOR OF 1.35. POLES SHALL BE CERTIFIED WITH QUANTITIES AND TYPES OF LUMINAIRES INSTALLED AS SPECIFIED FOR ACTUAL SOIL CONDITIONS.
- SL-2. MANUFACTURER SHALL PROVIDE CONCRETE BASE BOLT DETAIL TO ELECTRICAL CONTRACTOR FOR ALL POLE BASES.
- SL-3. VERIFY BOLT CIRCLE TEMPLATE WITH MANUFACTURER FOR EACH LIGHT STANDARD TYPE PRIOR TO DOING WORK. INCREASE FOUNDATION DIAMETER AS REQUIRED IN ORDER TO ACCOMMODATE BASE COVER ON TOP OF THE FOUNDATION WITH AT LEAST 4" FROM BASE COVER CORNER TO EDGE OF FOUNDATION.
- SL-4. PROVIDE RIGID GALVANIZED STEEL HEAVY WALL CONDUIT FOR ALL HOMERUNS TO A POINT 6'-0" FROM BUILDING LINE. PROVIDE PVC-TO-STEEL ADAPTERS. PVC CONDUIT SHALL BE SCHEDULE 40. PROVIDE PVC-40 CONDUIT FROM ADAPTER TO EXTERIOR AREA LIGHT STANDARDS. ALL TERMINATIONS ABOVE GRADE SHALL BE RIGID GALVANIZED STEEL HEAVY WALL. ALL CONDUIT SHALL BE INSTALLED 2'-0" BELOW GRADE. SECURE PERMISSION FROM APPLICABLE CODE AUTHORITY FOR USE OF PVC UNDERGROUND CONDUIT PRIOR TO BID PROPOSAL.
- SL-5. EXACT LOCATIONS OF ALL LIGHTING STANDARDS SHALL BE VERIFIED PRIOR TO DOING ANY WORK.
- SL-6. ALL SITE LIGHTING UNDERGROUND CABLE SHALL BE 600 VOLT TYPE EPR-USE EXCEPT AS NOTED OTHERWISE.
- SL-7. PROVIDE HANDHOLE GROUND LUG IN ALL LIGHT POLE STANDARDS.
- SL-8. CONTRACTOR SHALL INSTALL WARNING TAPES (YELLOW & BLACK STRIPED) +12" ABOVE CONDUIT IN ALL EXTERIOR TRENCHES WHERE CONDUIT IS INSTALLED.
- SL-9. ALL UNDERGROUND CONDUITS FOR EXTERIOR LIGHTING SHALL BE PVC SCHEDULE 40 EXCEPT AS NOTED. ALL CONDUITS 2" EXCEPT AS NOTED.
- SL-10. INSTALL PULL ROPE IN ALL UNDERGROUND DUCT.
- SL-11. SEAL ALL UNDERGROUND DUCT OR CONDUITS ENTERING OR LEAVING BUILDING WITH CABLE DUCT COMPOUND.
- SL-12. PROVIDE GROUNDING CONDUCTOR WITH ALL EXTERIOR CIRCUITS WITHIN THE SAME CONDUITS.
- SL-13. PROVIDE ONE-PIECE BASE COVER TO CONCEAL ANCHOR BOLTS FOR ALL LIGHT STANDARDS.
- SL-14. CABLE ENDS SHALL BE SEALED WITH END CAPS PRIOR TO PULLING NEW CABLES INTO UNDERGROUND DUCTS.
- SL-15. PROVIDE WATERTIGHT SLEEVES FOR WALL AND FLOOR PENETRATIONS.
- SL-16. THE CONTRACTOR SHALL DETERMINE THE EXACT LOCATION OF ALL EXISTING UTILITIES BEFORE COMMENCING ANY EXCAVATIONS AND AGREES TO BE FULLY RESPONSIBLE FOR ANY AND ALL DAMAGES WHICH MIGHT BE OCCASIONED BY THE CONTRACTOR'S FAILURE TO EXACTLY LOCATE AND PRESERVE ANY AND ALL UNDERGROUND UTILITIES.
- SL-17. ALL EXTERIOR CONDUITS WITHIN 6 FEET OF BUILDING WALL SHALL BE RIGID GALVANIZED STEEL WITH 3" CONCRETE ENVELOPE. ALL TERMINATIONS ABOVE GRADE SHALL BE RIGID GALVANIZED STEEL. PVC CONDUIT IS NOT PERMITTED WITHIN THE PERIMETER OF ANY BUILDING INCLUDING IN OR UNDER CONCRETE OF THE BUILDING.

- (8) NEW LIGHT STANDARD WITH ONE LUMINAIRE. LUMINAIRE G.E. DECASHIELD III 150W HPS, 27 FOOT POLE ON A RAISED FOUNDATION. PROVIDE HANDHOLE NEAR BOTTOM OF POLE; GROUND LUG; BOLT COVER. LUMINAIRE DSMT-15-S-5-A-1-G-MC2-A-F. LUMINAIRE WITH BALLAST TRAY - 480V AUTO-REGULATED FUSED BALLAST, GLASS LENS. POLE ASS-27-SINGLE LUMINAIRE-SX5 #7 GAUGE. LUMINAIRES, BRACKET ARMS, POLE ASSEMBLY COLOR SHALL MATCH EXISTING LUMINAIRES AND POLES FINISH AND COLOR. PROVIDE LIGHT STANDARD FOUNDATION.
- (9) NEW LIGHT STANDARD WITH FOUR LUMINAIRES. LUMINAIRE G.E. DECASHIELD III 250W HPS, 30 FOOT POLE ON A FOUNDATION. PROVIDE HANDHOLE NEAR BOTTOM OF POLE; GROUND LUG; BOLT COVER. LUMINAIRE DSMT-25-S-5-A-1-G-MC2-A-F. LUMINAIRE WITH BALLAST TRAY - 480V AUTO-REGULATED FUSED BALLAST, GLASS LENS. POLE ASS-30-FOUR LUMINAIRES-SX5 #7 GAUGE. LUMINAIRES, BRACKET ARMS, POLE ASSEMBLY COLOR SHALL MATCH EXISTING LUMINAIRES AND POLES FINISH AND COLOR. PROVIDE LIGHT STANDARD FOUNDATION.
- (9A) LIGHT STANDARD WITH ONE LUMINAIRE. LUMINAIRE G.E. DECASHIELD III 250W HPS, 30 FOOT POLE ON A FOUNDATION. PROVIDE HANDHOLE NEAR BOTTOM OF POLE; GROUND LUG; BOLT COVER. LUMINAIRE DSMT-25-S-5-A-1-G-MC2-A-F. LUMINAIRE WITH BALLAST TRAY - 480V AUTO-REGULATED FUSED BALLAST, GLASS LENS. POLE ASS-30-ONE LUMINAIRE-SX5 #7 GAUGE. LUMINAIRE, BRACKET ARMS, POLE ASSEMBLY COLOR SHALL MATCH EXISTING LUMINAIRES AND POLES FINISH AND COLOR. PROVIDE LIGHT STANDARD FOUNDATION.

- NOTES**
1. PROVIDE LIGHT STANDARD UNDERGROUND WIRING EPR-USE 2#8 & 1#6 GRD-2" PVC 40.
 2. ALL CONDUITS BELOW FLOOR SLABS AND WITHIN 6'-0" OF EXTERIOR BUILDING WALLS (EXTERIOR SIDE) SHALL BE RIGID GALVANIZED STEEL HEAVY WALL (RGS) WITH 3" CONCRETE ENVELOPE. ALL TERMINATIONS ABOVE GRADE SHALL BE RGS. PVC CONDUIT IS NOT PERMITTED WITHIN THE PERIMETER, INCLUDING IN OR UNDER CONCRETE OF ANY BUILDING IN WOODSTOCK AS PER WOODSTOCK'S ADDITIONAL REQUIREMENTS TO THE 1999 NATIONAL ELECTRIC CODE.
 3. DISCONNECT EXISTING LIGHT STANDARD #11 FROM EXISTING LIGHTING CIRCUIT. REMOVE WIRING BACK TO EXISTING EAST ROAD LIGHT STANDARD IDENTIFIED AS #10. REMOVE LIGHT STANDARD. REMOVE EXISTING LIGHT STANDARD FOUNDATION. PROVIDE NEW FOUNDATION. VERIFY BOLT CIRCUIT. REMOVE, RELOCATE, RE-INSTALL, REWIRE EXISTING LIGHT STANDARD ON NEW FOUNDATION. CONNECT TO NEW EXTERIOR LIGHTING CIRCUIT. MAKE ALL FINAL CONNECTIONS.



**RAISED BASE DETAIL FOR
FIXTURE TYPE (8)**
NOT TO SCALE



**BASE DETAIL
FIXTURE TYPES (9) & (9A)**
NOT TO SCALE

ATTENTION
This drawing is PRELIMINARY and is not intended for Construction.

9-8-00	
REV.	DATE
4-24-00	ISSUED FOR BIDDING
ELECTRICAL SITE PLAN	
tms PLANNERS DESIGNERS ENGINEERS	
2101 Hammond Drive Schaumburg, Illinois 60135 Phone: 847-397-2100 Fax: 847-397-8980	
BROWN PRINTING PRESS ROOM, BINDERY AND WAREHOUSE EXPANSION	
11595 MCCONNELL ROAD WOODSTOCK, ILLINOIS	SCALE AS NOTED
DWN. BY AHC	APP. BY JDV
APP. BY JDV	DATE 04/14/00
CKD. BY JDV	DWG. NO. E2.0