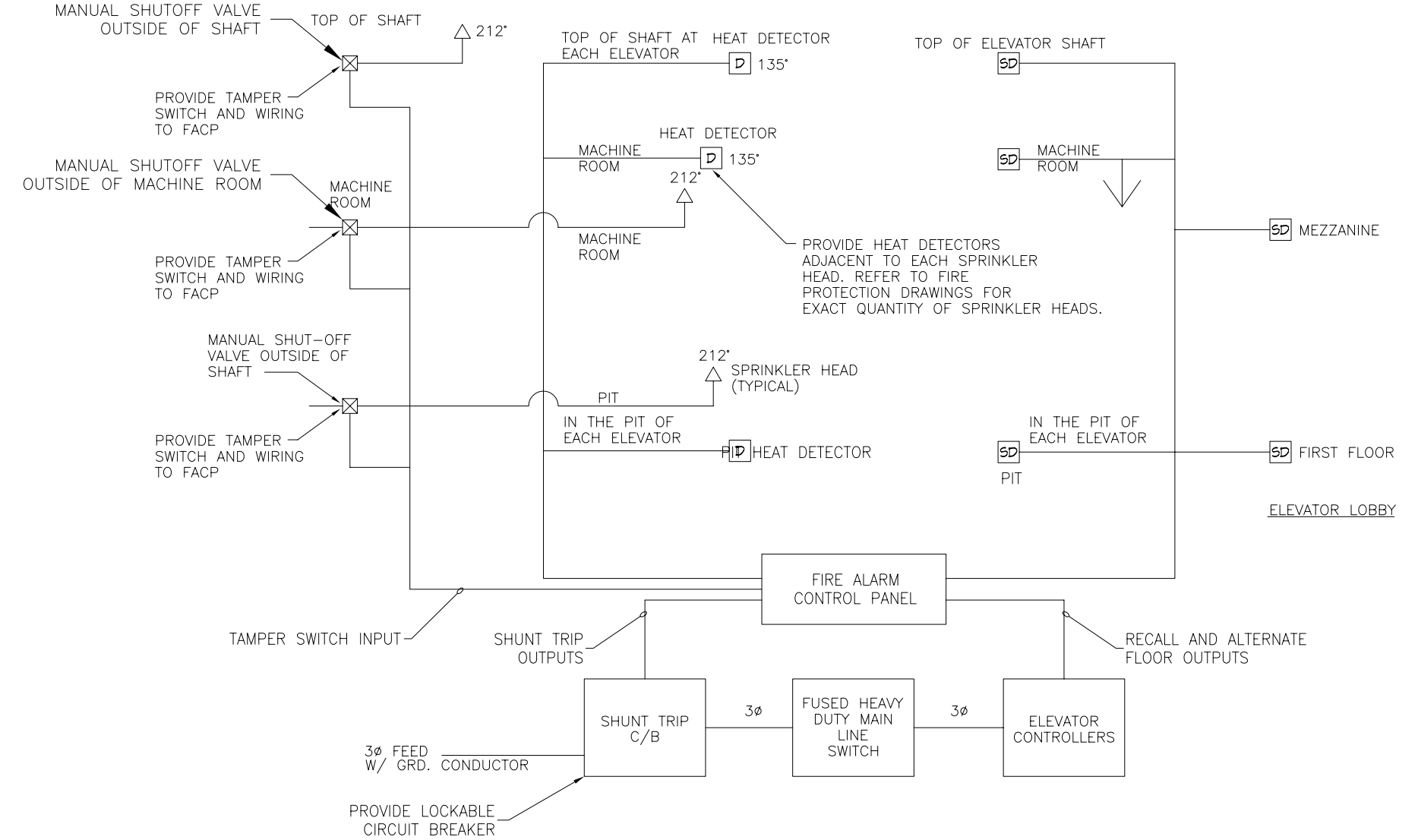
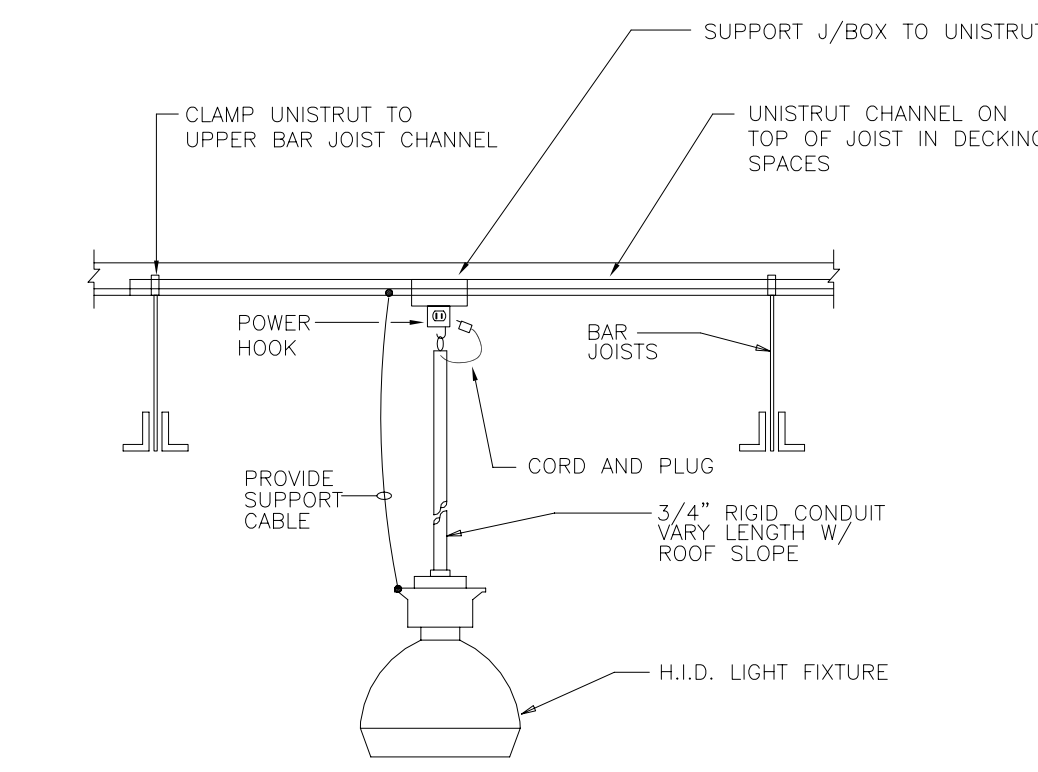
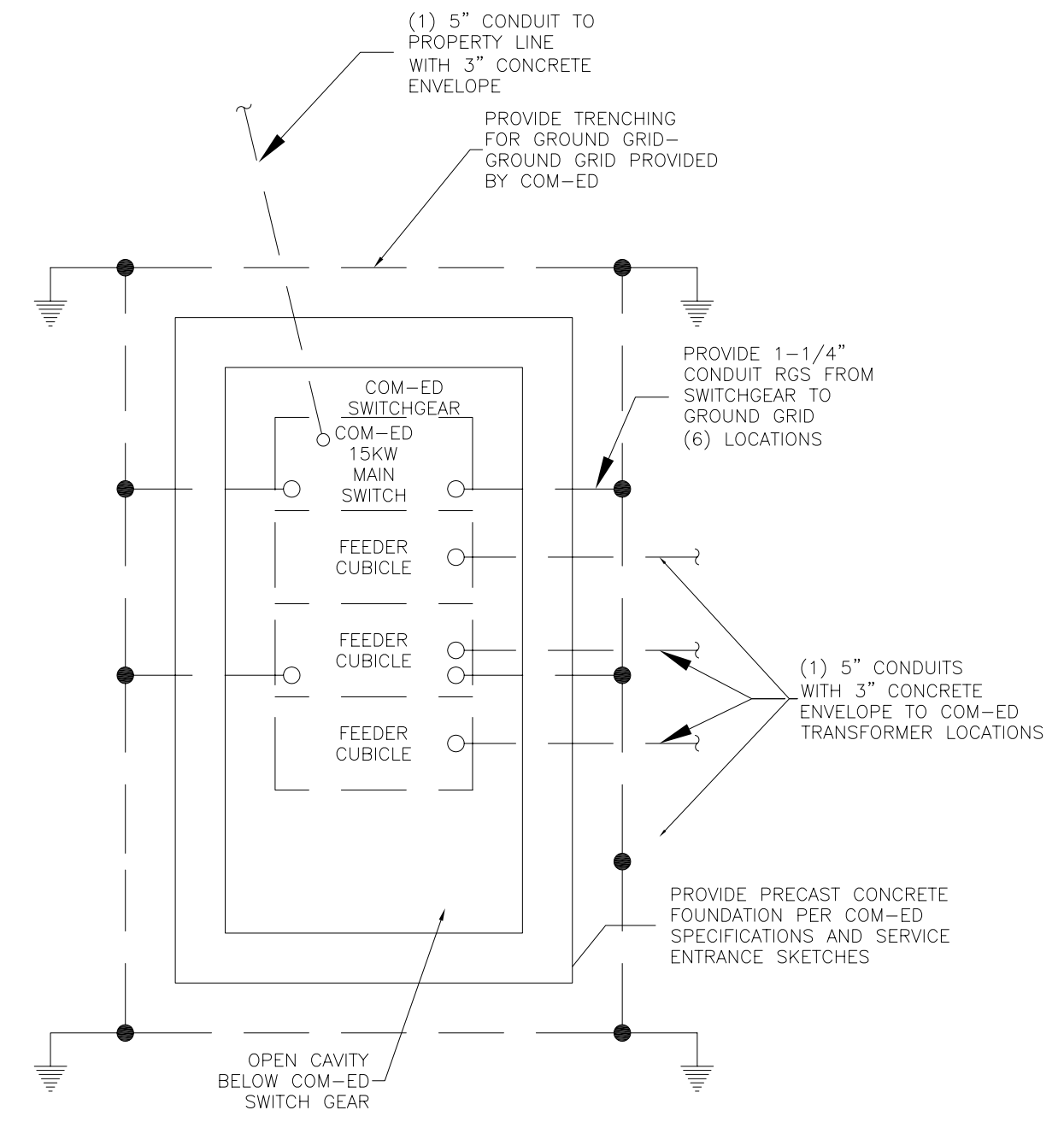


THIS DRAWING IS THE PROPERTY OF TNS. IT IS LOANED TO YOU FOR CONSTRUCTION PURPOSES ONLY AND IS NOT TO BE REPRODUCED OR COPIED IN ANY MANNER WITHOUT THE WRITTEN CONSENT OF TNS. THE ACCEPTANCE OF THIS DRAWING CONSTITUTES ACCEPTANCE OF THE FOREGOING AGREEMENT.

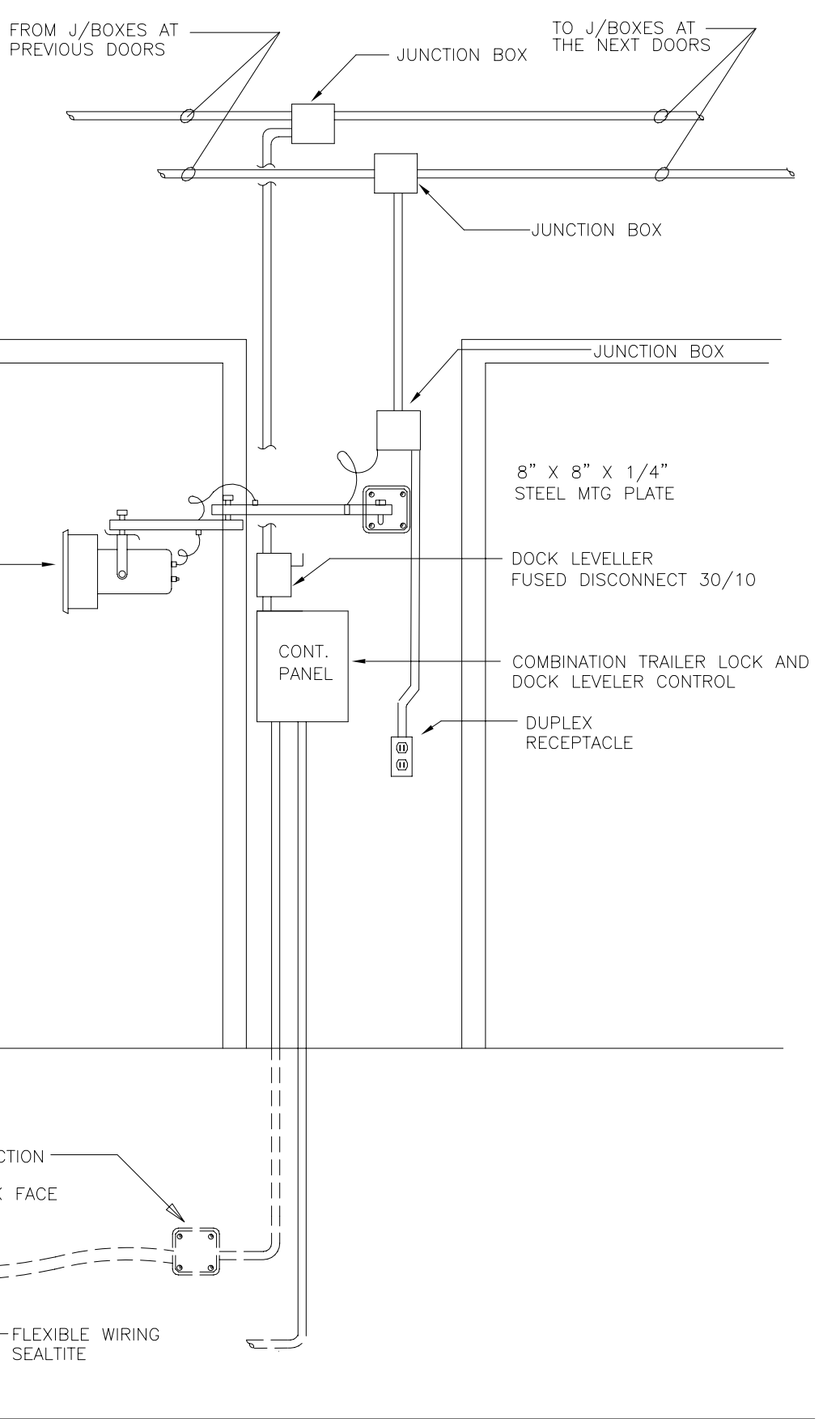


SEQUENCE OF OPERATION-DISCONNECTION OF ELEVATOR POWER PRIOR TO DISCHARGE OF SPRINKLERS

1. SMOKE DETECTOR ACTIVATES SENDING ELEVATOR INTO RECALL TO MAIN FLOOR OR MEZZANINE FLOOR.
2. 135 DEGREE HEAT DETECTOR IN ELEVATOR SHAFTS, MACHINE ROOM, AND ELEVATOR PITS SHALL ACTIVATE SHUNT TRIP OPENING OF THE CIRCUIT BREAKER.
3. 212 DEGREE SPRINKLER HEADS ACTIVATE AND DISCHARGE WATER.

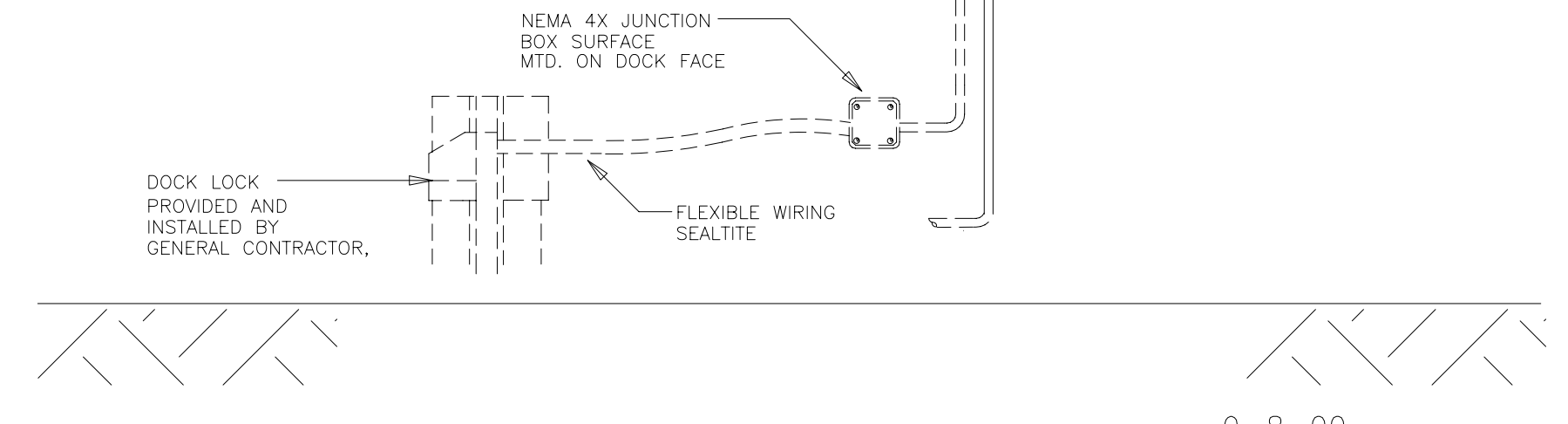


COM-ED SECTIONALIZER SWITCHGEAR FOUNDATION  
NORTH ELECTRICAL SERVICES  
NORTH NO.3- NORTH NO. 4- NORTH NO. 5



PANEL SCHEDULE									
PANEL NO.	LOCATION	TYPE OF MTG.	VOLTAGE	MANS TYPE	CAPY	15 A. 1-P.	20 A. 1-P.	MISCELLANEOUS	
L-EM PRESS	PRESSROOM	SURF.	277/480V 3ø,4W	MB	70	-	12	EQUIP. GRD. BUS- SWB BREAKERS 3P15 (TRANSF. R-EM-PRESS) 3P35 (L-EM BINDERY) (6) SPACES	
R-EM PRESS	PRESSROOM	SURF.	120/208V 3ø,4W	MB	40	-	12	EQUIP. GRD. BUS (6) SPACES	
L-EM BINDERY	BINDERY	SURF.	277/480V 3ø,4W	MB	35	-	12	EQUIP. GRD. BUS- SWB BREAKERS 3P15 (TRANSF. R-EM BINDERY) (6) SPACES	
R-EM BINDERY	BINDERY	SURF.	120/208V 3ø,4W	MB	40	-	12	EQUIP. GRD. BUS (6) SPACES	
L-PR	MEZZ. ELECT. RM.	SURF.	277/480V 3ø,4W	MB	225	-	64	EQUIP. GRD. BUS- SWB BREAKERS 2P15 NO. PARKING AREA DOUBLE TUB TFL	
R-PR	MEZZ. ELECT. RM.	SURF.	120/208V 3ø,4W	MB	250	-	70	EQUIP. GRD. BUS (5) 2P20 (2) 2P15 DOUBLE TUB TFL	
L-BINDERY	BINDERY	SURF.	277/480V 3ø,4W	MB	200	-	63	EQUIP. GRD. BUS- SWB BREAKERS 3P70 (TRANSF. R-BINDERY) DOUBLE TUB TFL	
R-BINDERY	BINDERY	SURF.	120/208V 3ø,4W	MB	225	-	60	EQUIP. GRD. BUS (24) 1PSPACES DOUBLE TUB TFL	
R-WHSE	WAREHOUSE	SURF.	120/208V 3ø,4W	MB	225	-	66	EQUIP. GRD. BUS DOUBLE TUB TFL	
BINDER PROCESS PANEL	BINDERY	SURF.	120/208V 3ø,4W	MB	150	-	42	EQUIP. GRD. BUS	
PRESS PROCESS PANEL (SUNDAY)	PRESSROOM	SURF.	120/208V 3ø,4W	MB	150	-	42	EQUIP. GRD. BUS	
R-LUNCH RM	WAREHOUSE	SURF.	120/208V 3ø,4W	MB	150	-	66	EQUIP. GRD. BUS	
R-DOCK	DOCK	SURF.	120/208V 3ø,4W	MB	150	-	84	DOUBLE TUB EQUIP. GRD. BUS	
BINDER POWER PANEL	BINDERY	SURF.	480V 3ø,3W	MB	800A	-	-	EQUIP. GRD. BUS (12) 100AF- 3P SPACES (7) 225AF- 3P SPACES (1) 3P-70 (TRANSF. BINDERY PANEL)	
L-WHSE	WHSE	SURF.	277/480V 3ø,4W	MB				EQUIP. GRD. BUS- SWB BREAKERS	
PP-AD	AIR COMPRESSOR ROOM	SURF.	480V 3ø,3W	MB	100A			EQUIP. GRD. BUS (4) 3P-15 (4) 3P-20 (4) 3P 100AF SPACES	

LIGHTING FIXTURE SCHEDULE						
SYMBOL & TYPE	MANUFACTURER AND CATALOG NUMBER	WATTAGE	LOCATION	MOUNTING	SHIELDING	REMARKS
A	LUMARK #AMP-SS-PP-22-M-400-277V-SCF-SB22-L-SHK-TPPH-F-F11-PHC-SCR	400W MH PULSE START	PRESS RM BINDERY WAREHOUSE DOCK	PENDANT W/ SWIVEL ALIGNER. SAFETY HOOK	PRISMATIC ACRYLIC REFLECTOR	PULSE START CWA-HPF BALLAST FIBERGLASS GASKETS SCF-3 SAFETY CABLE- SAFETY CHAIN ON BALLAST; SB2-22-SAFETY GLASS BOTTOM LL- PROVIDE LAMP SHK- HOOK WITH SAFETY SCREW TPPH-F-F11-PHC- THRU-WAY PENDANT POWER HOOK SINGLE FUSE VENTURE LAMP- VENTURE BALLAST
A-EM	SAME AS TYPE A, EXCEPT EQUIPPED WITH 250W QUARTZ LAMP DURING MH-STRIKE TIME					
B	METALUX #20P332A125- EB81-RS	(3) T8 32W	LUNCH ROOM LOCKER ROOM SUPPLY ROOM	FLUSH	125 PRISMATIC ACRYLIC	277V HPF ELECTRONIC MOTOROLA/SYLVANIA BALLAST
C	METALUX #2EP36X332S361- EB81-RS	(3) T8 32W	GENERAL OFFICE	FLUSH	PARABOLIC DEEP CELL IRIDESCENT 2x4	277V HPF ELECTRONIC MOTOROLA/SYLVANIA BALLAST
E	METALUX #8TIC232- EB81-RS	(4) T8 32W IN TANDEM 8\"/>				



9-8-00

REV.	DATE	DESCRIPTION
4-24-00	ISSUED FOR BIDDING	
SCHEDULES AND DETAILS		
PLANNERS DESIGNERS ENGINEERS		
2101 Hammond Drive Schaumburg, Illinois 60173 Phone: 847-397-2100 Fax: 847-397-8980		
<b>BROWN PRINTING</b> PRESS ROOM, BINDERY AND WAREHOUSE EXPANSION		
11595 McCONNELL ROAD WOODSTOCK, ILLINOIS	SCALE AS NOTED	DWG. NO.
DWN. BY AHC	APP. BY JDV	JOB NO. 6518
CKD. BY JDV	DATE 04/14/00	E8.0

ATTENTION  
This drawing is PRELIMINARY and is not intended for Construction.