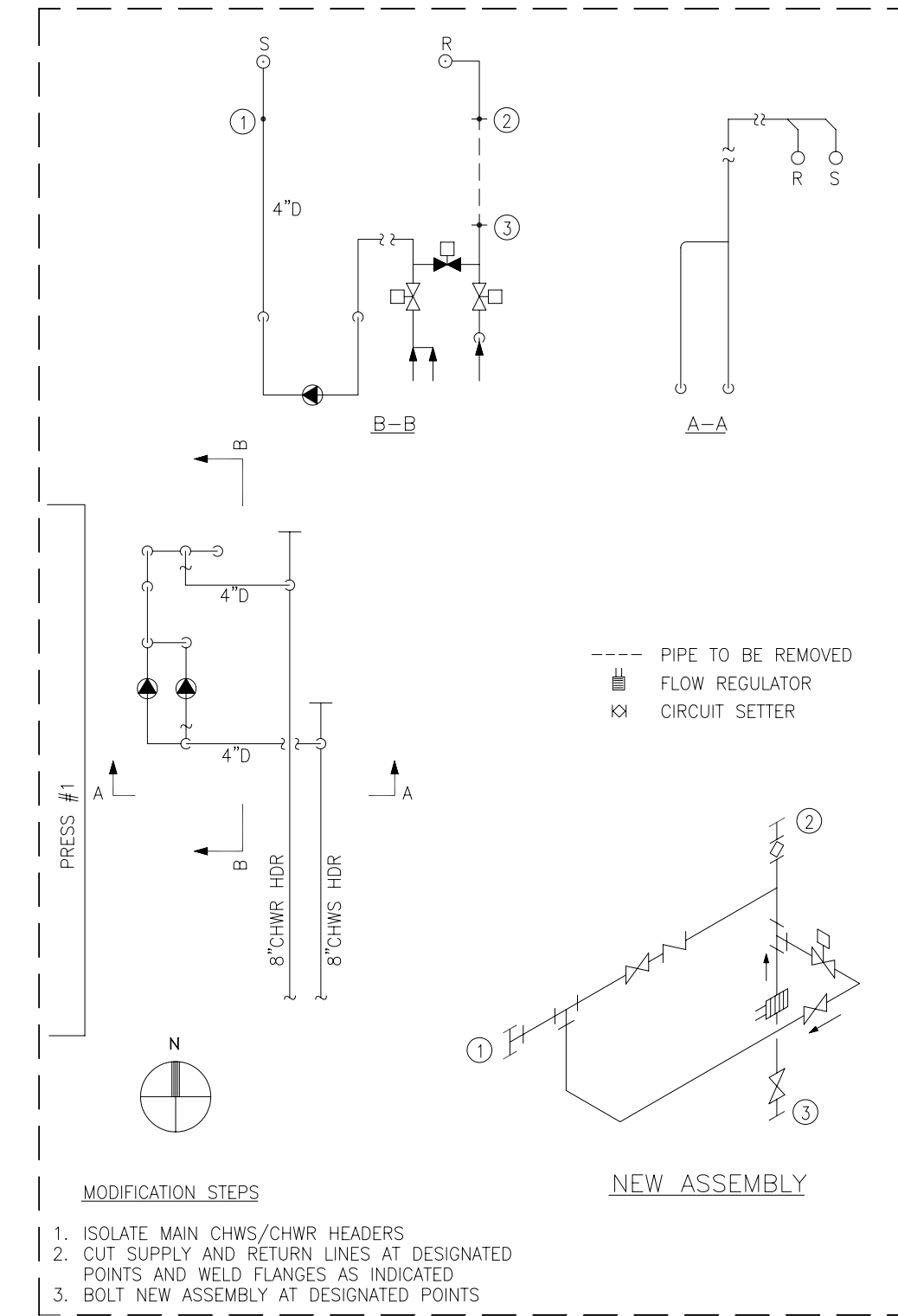


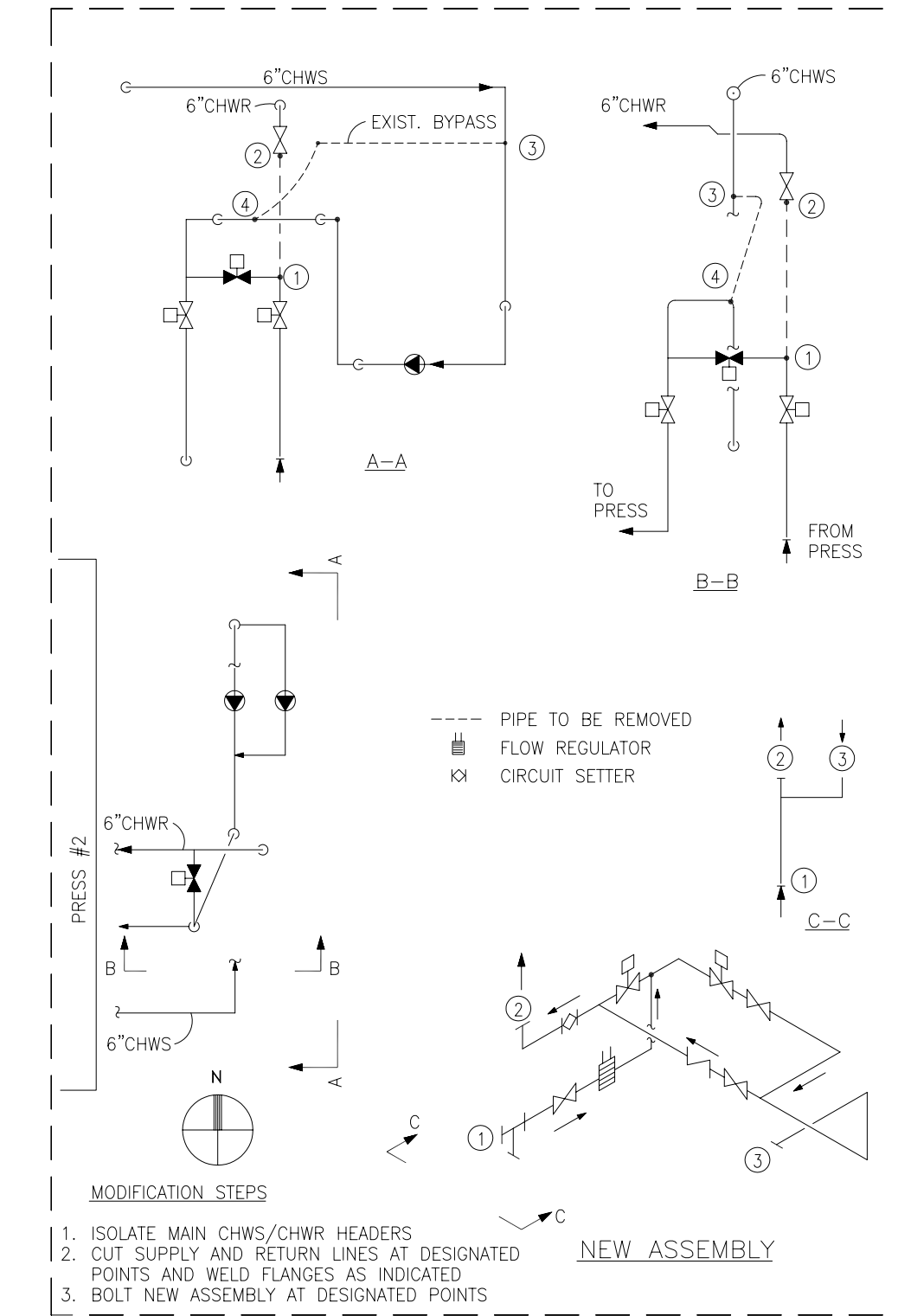
- NOTE:
1. PROVIDE FLANGES OR UNIONS AS REQUIRED FOR SERVICE OR MAINTENANCE OF EQUIPMENT.
 2. PROVIDE INCREASERS AS REQUIRED AT EQUIPMENT.

COMPRESSED AIR DIAGRAM
NO SCALE



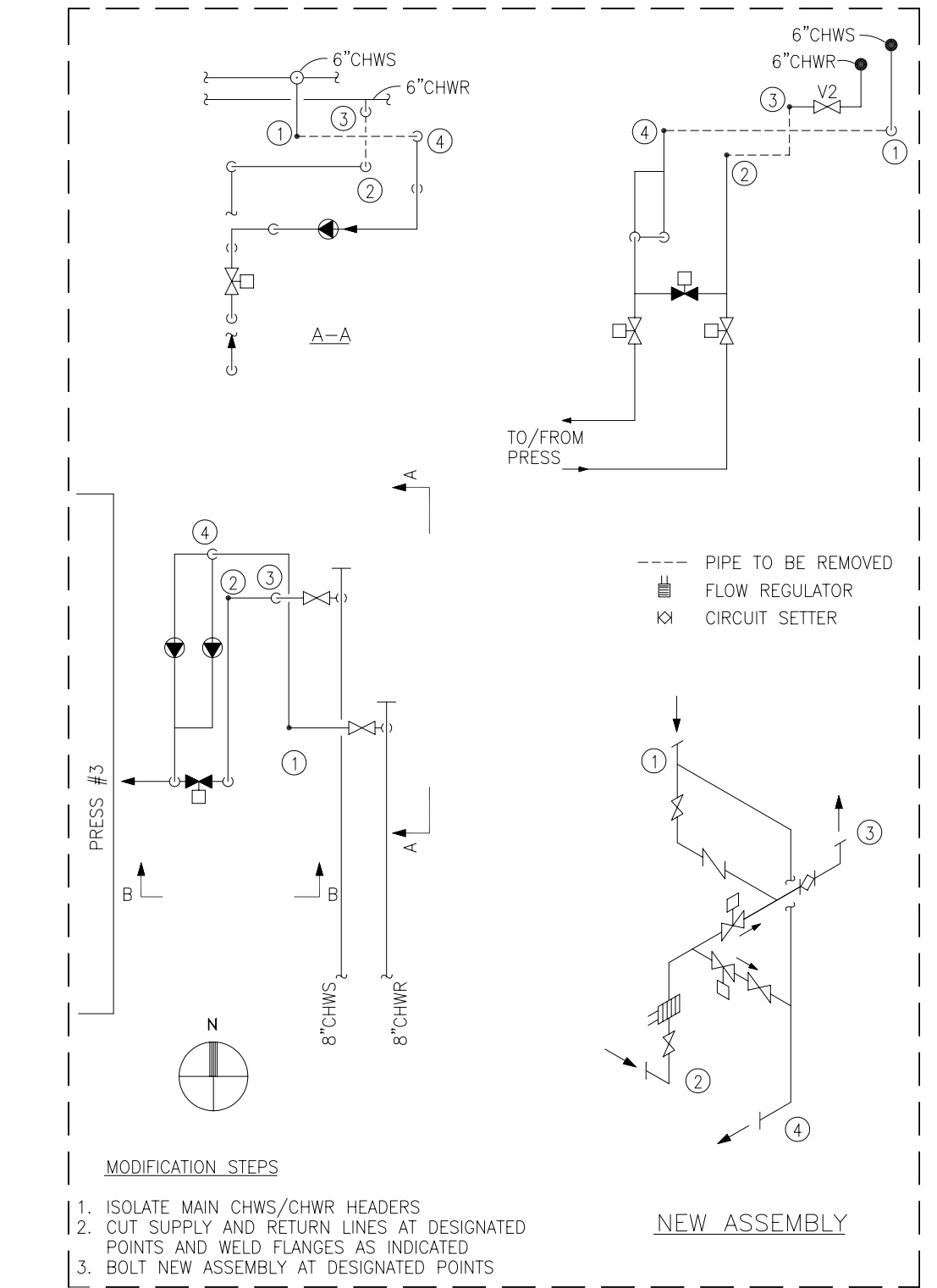
- MODIFICATION STEPS
1. ISOLATE MAIN CHWS/CHWR HEADERS
 2. CUT SUPPLY AND RETURN LINES AT DESIGNATED POINTS AND WELD FLANGES AS INDICATED
 3. BOLT NEW ASSEMBLY AT DESIGNATED POINTS

PRESS #1 MODIFICATION



- MODIFICATION STEPS
1. ISOLATE MAIN CHWS/CHWR HEADERS
 2. CUT SUPPLY AND RETURN LINES AT DESIGNATED POINTS AND WELD FLANGES AS INDICATED
 3. BOLT NEW ASSEMBLY AT DESIGNATED POINTS

PRESS #2 MODIFICATION

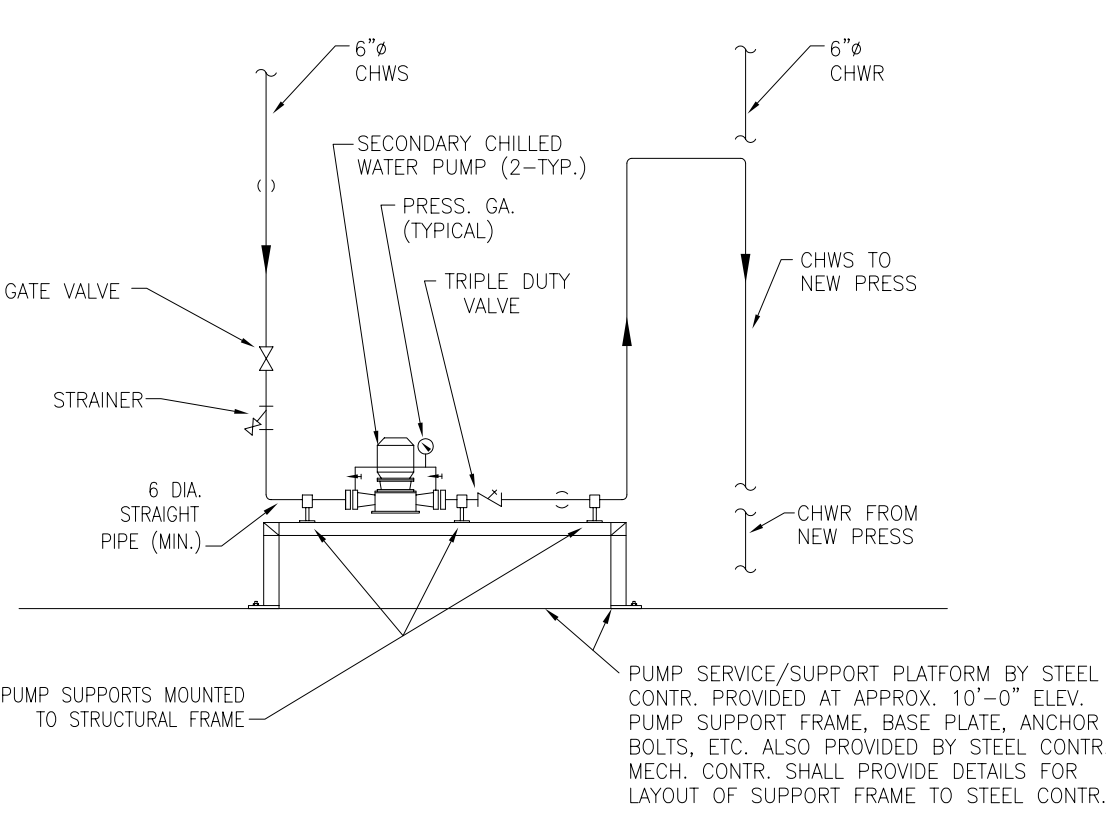


- MODIFICATION STEPS
1. ISOLATE MAIN CHWS/CHWR HEADERS
 2. CUT SUPPLY AND RETURN LINES AT DESIGNATED POINTS AND WELD FLANGES AS INDICATED
 3. BOLT NEW ASSEMBLY AT DESIGNATED POINTS

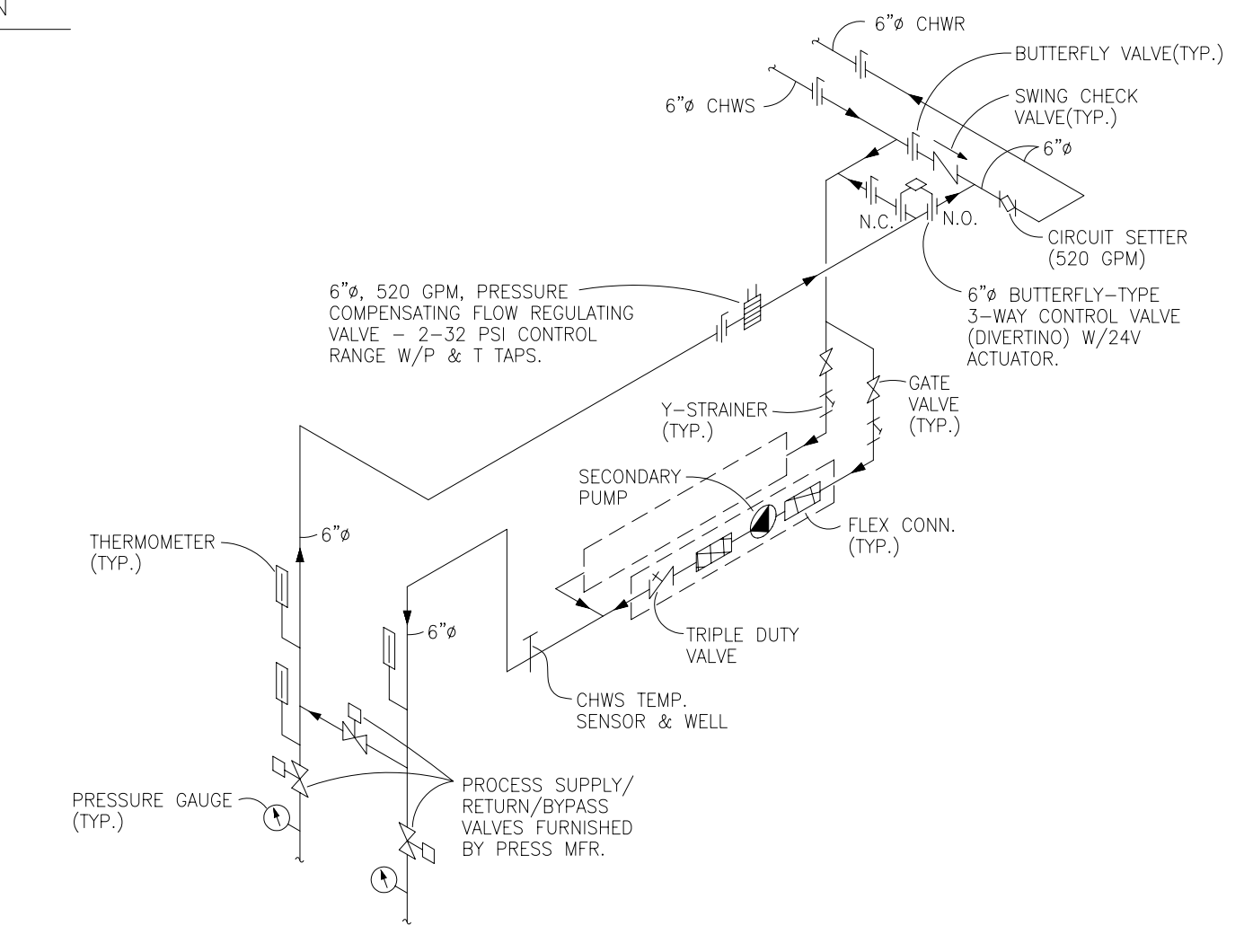
PRESS #3 MODIFICATION

EXISTING CHILLED WATER PIPING MODIFICATION

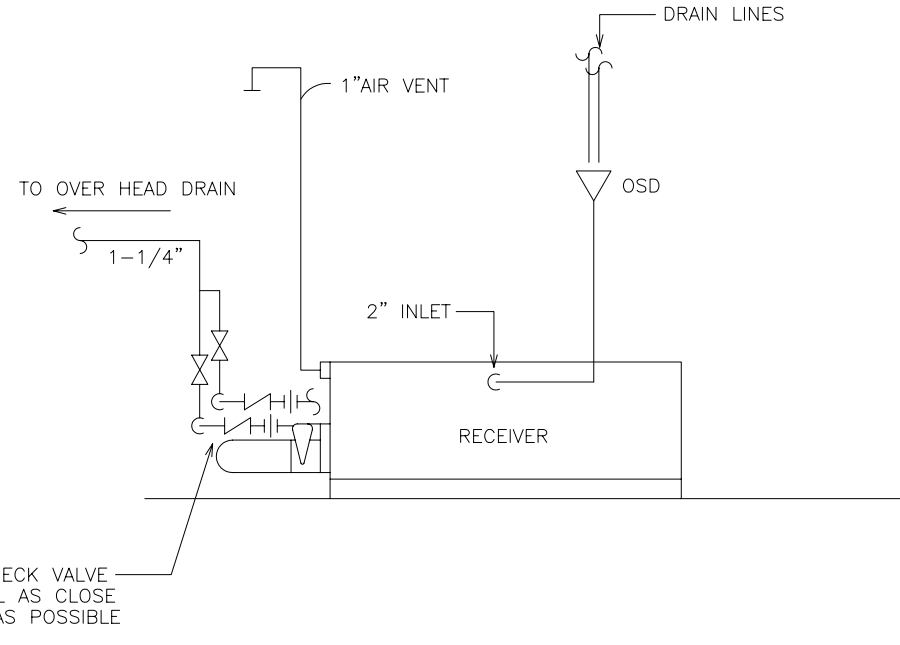
(NO SCALE - REFER TO MVP1.3)



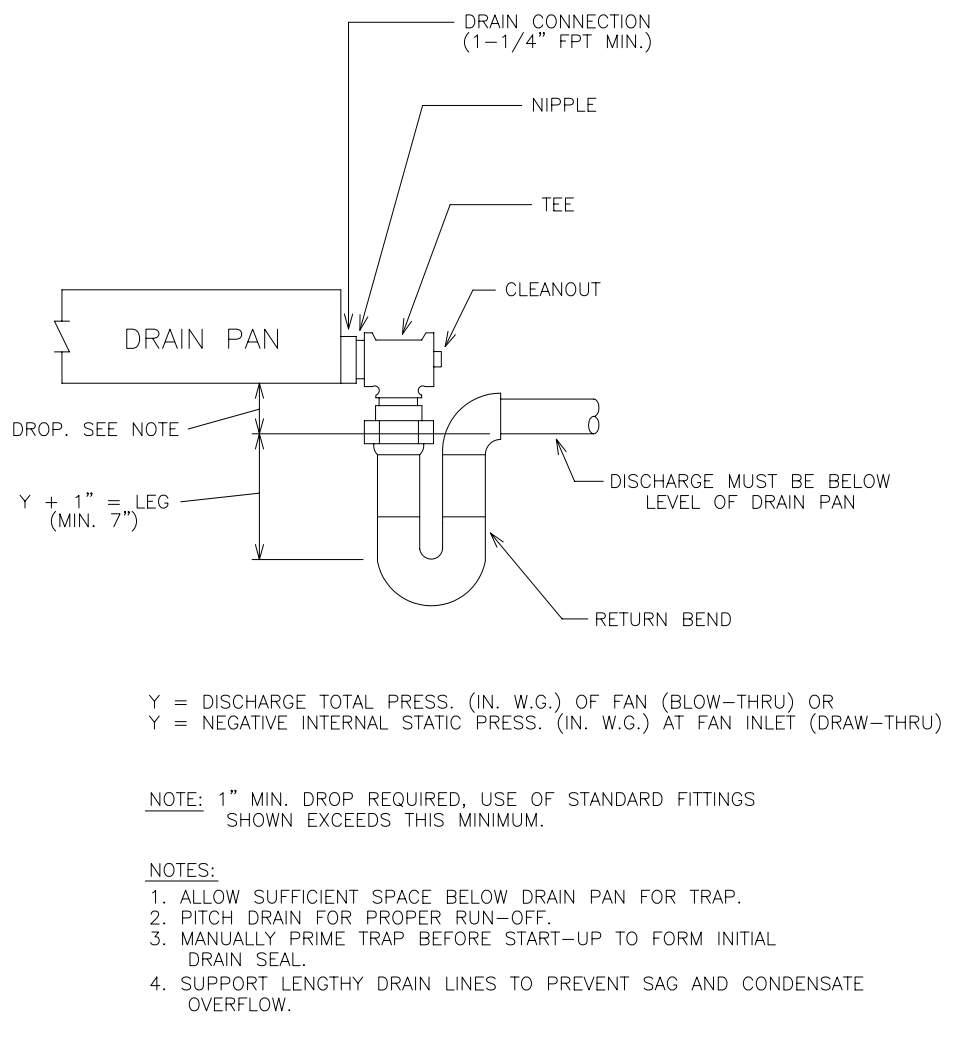
NEW SECONDARY CHILLED PUMPS
NO SCALE



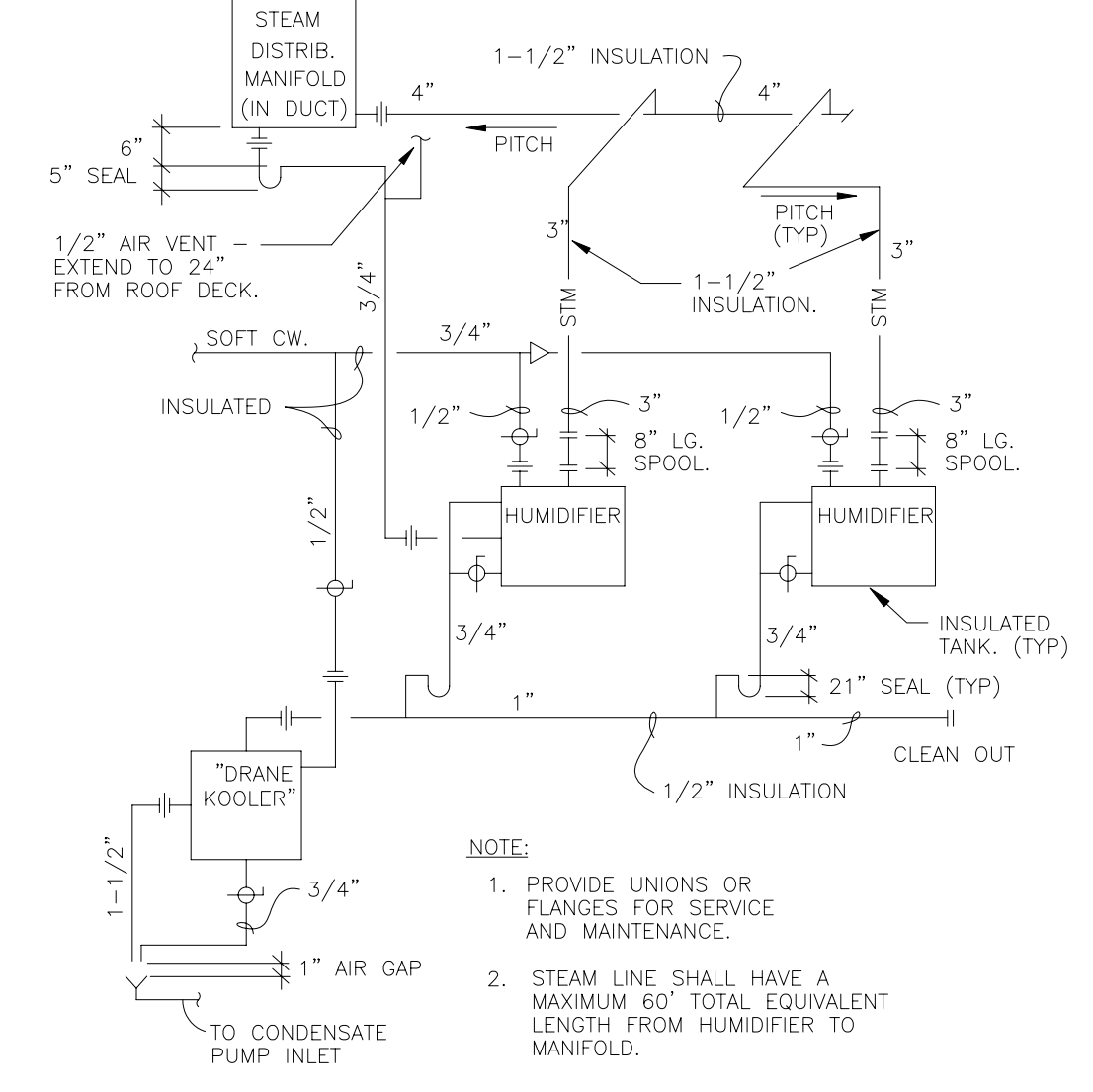
SECONDARY CHILLED WATER PUMP DIAGRAM AT NEW PASSES
NO SCALE



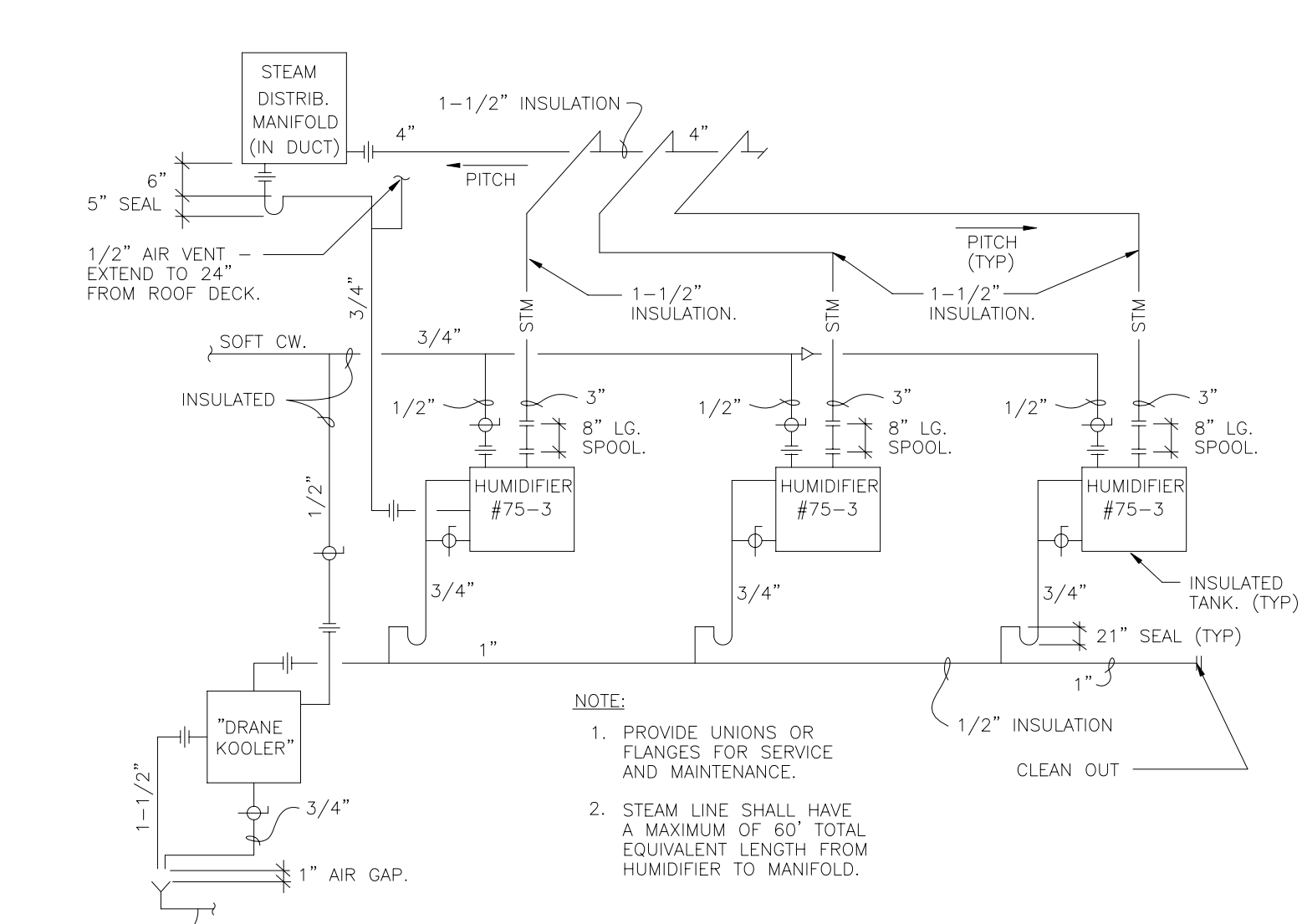
PIPING DIAGRAM OF DUPLEX CONDENSATE PUMP
NO SCALE



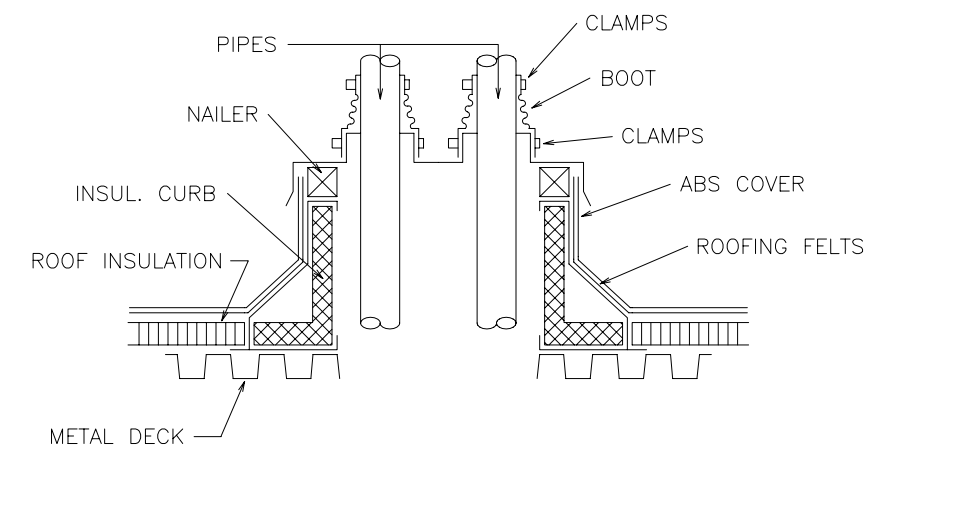
DRAIN PAN PIPING DETAIL
NO SCALE



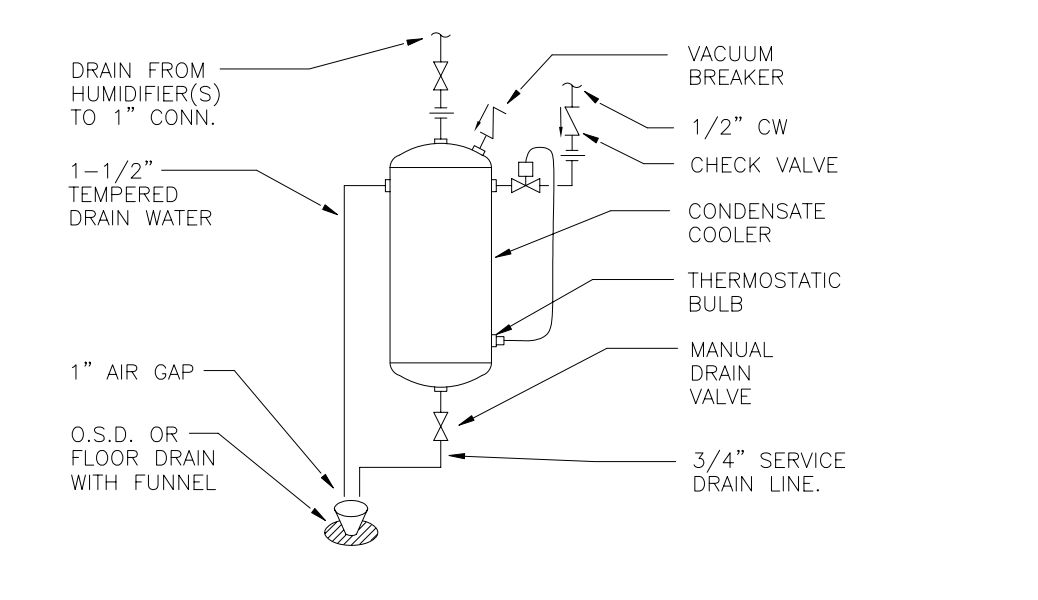
HUMIDIFIER PIPING DIAGRAM
NO SCALE



HUMIDIFIER PIPING DIAGRAM
NO SCALE



PIPE PENETRATION THRU ROOF
NO SCALE



\"/>

REV.	DATE	DESCRIPTION
	9-11-00	ISSUED FOR PERMITS
	4/24/00	ISSUED FOR BIDDING

MECHANICAL DETAIL SHEET

tns PLANNERS DESIGNERS ENGINEERS

2101 Hammond Drive Schaumburg, Illinois 60173
Phone: 847-397-2100 Fax: 847-397-8980

BROWN PRINTING
PRESS ROOM, BINDERY AND WAREHOUSE EXPANSION

11595 MCCONNELL ROAD WOODSTOCK, ILLINOIS

DWN. BY	SCALE	DWG. NO.
APP. BY	NONE	M2.0
CKD. BY	JOB NO. 6518/6523	
	DATE 4/14/00	