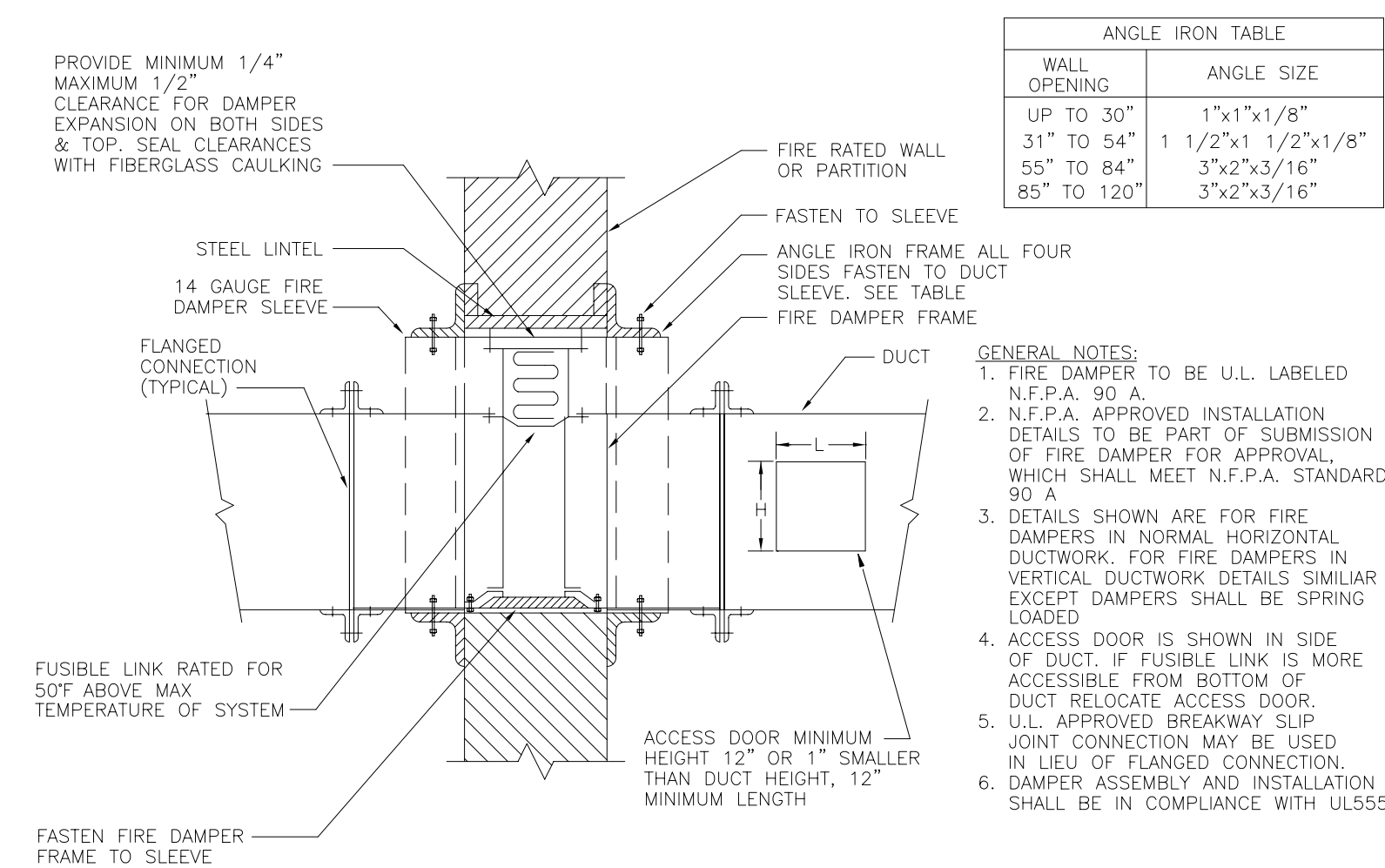
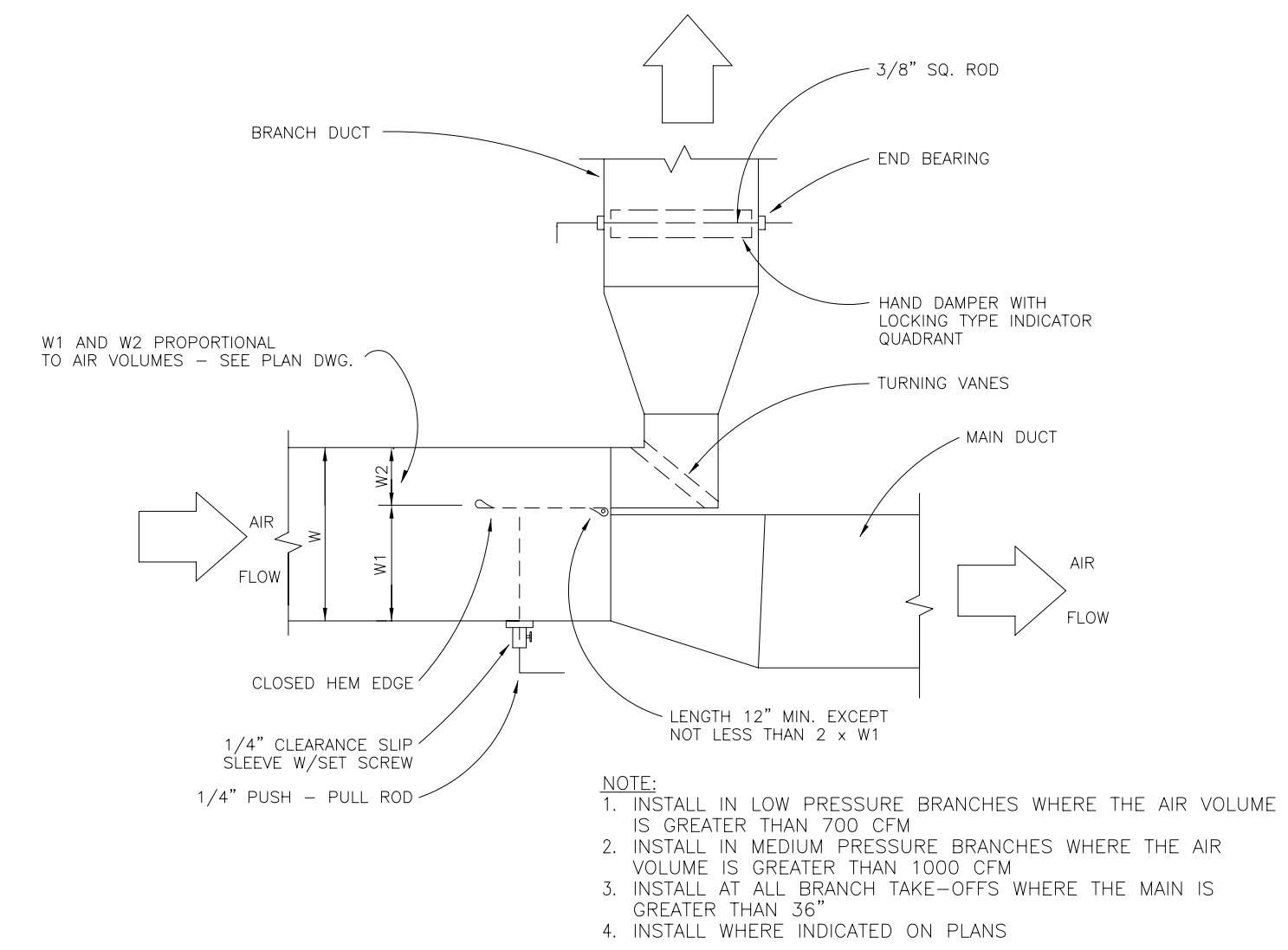


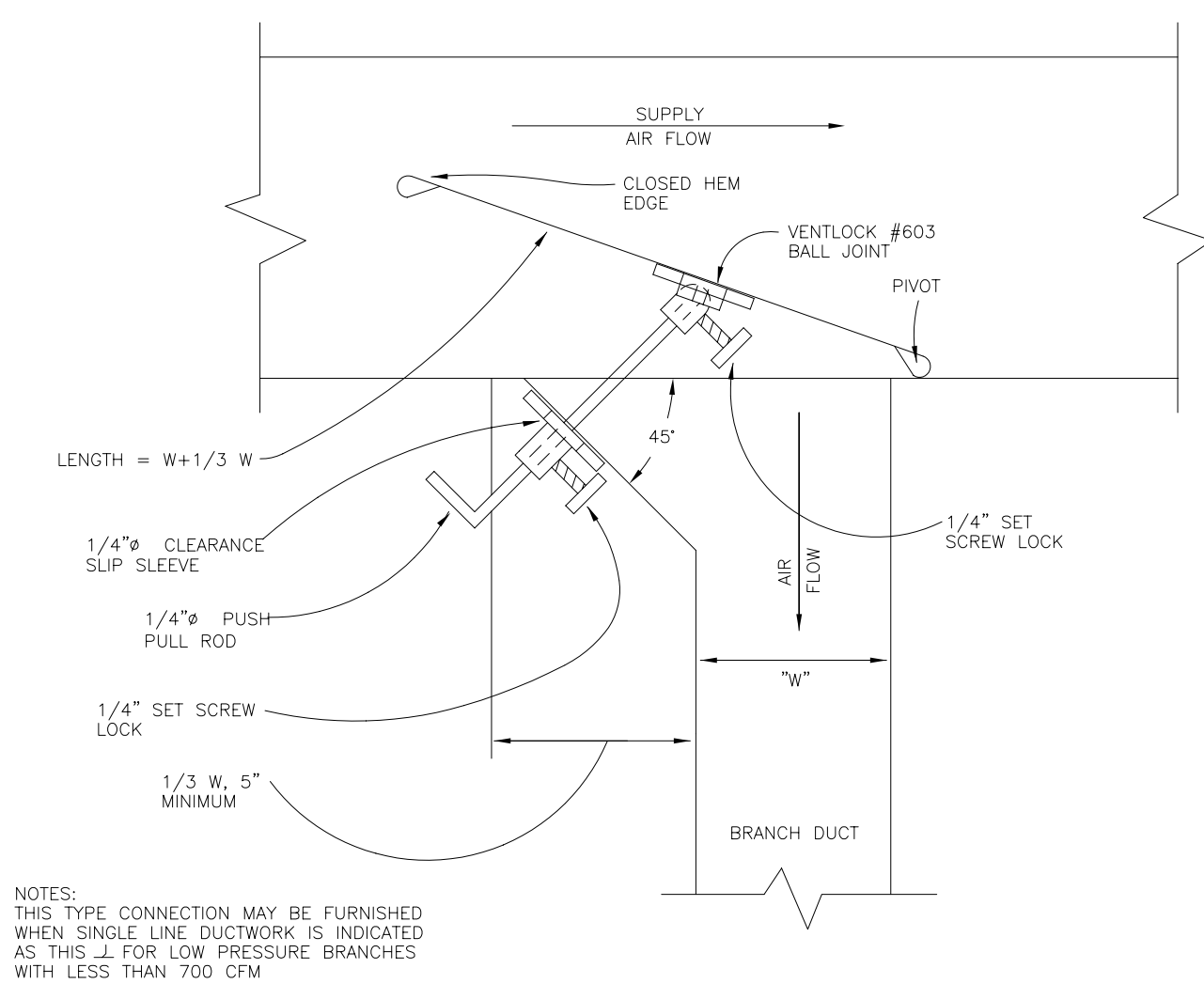
DETAIL OF GAS FLUE ROOF PENETRATION  
NO SCALE



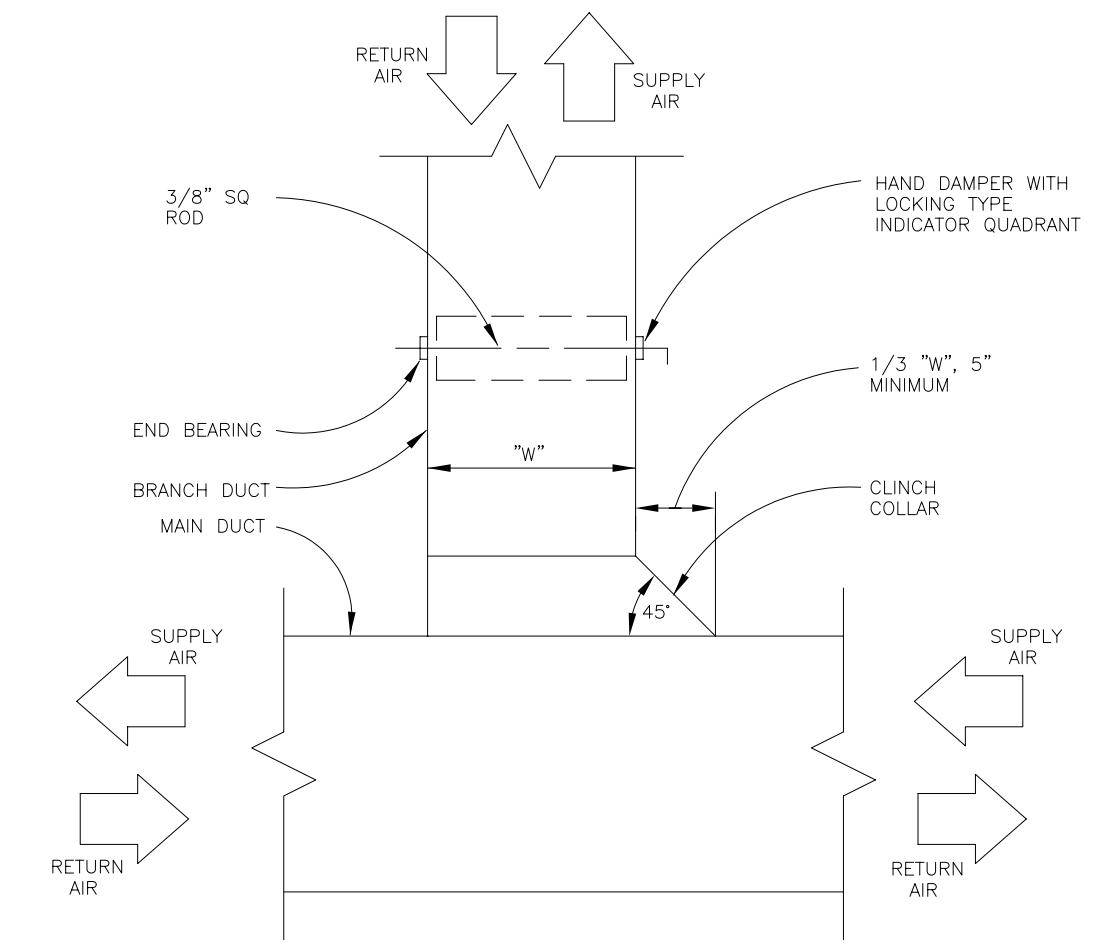
FIRE DAMPER DETAIL  
NO SCALE



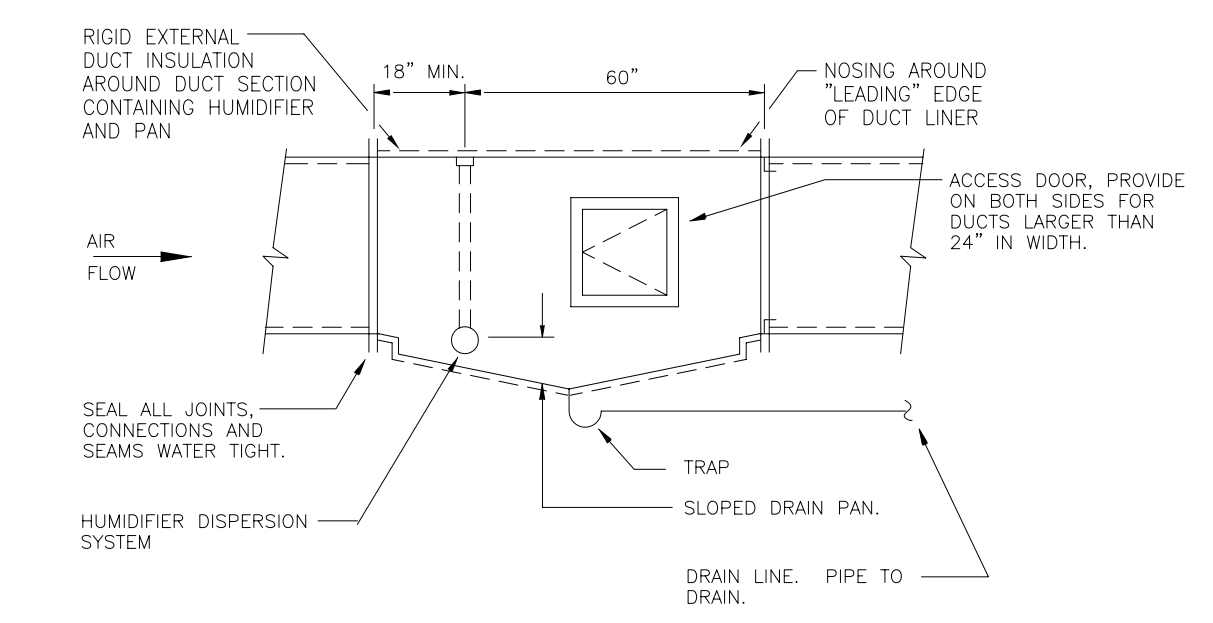
SUPPLY BRANCH DETAIL  
NO SCALE



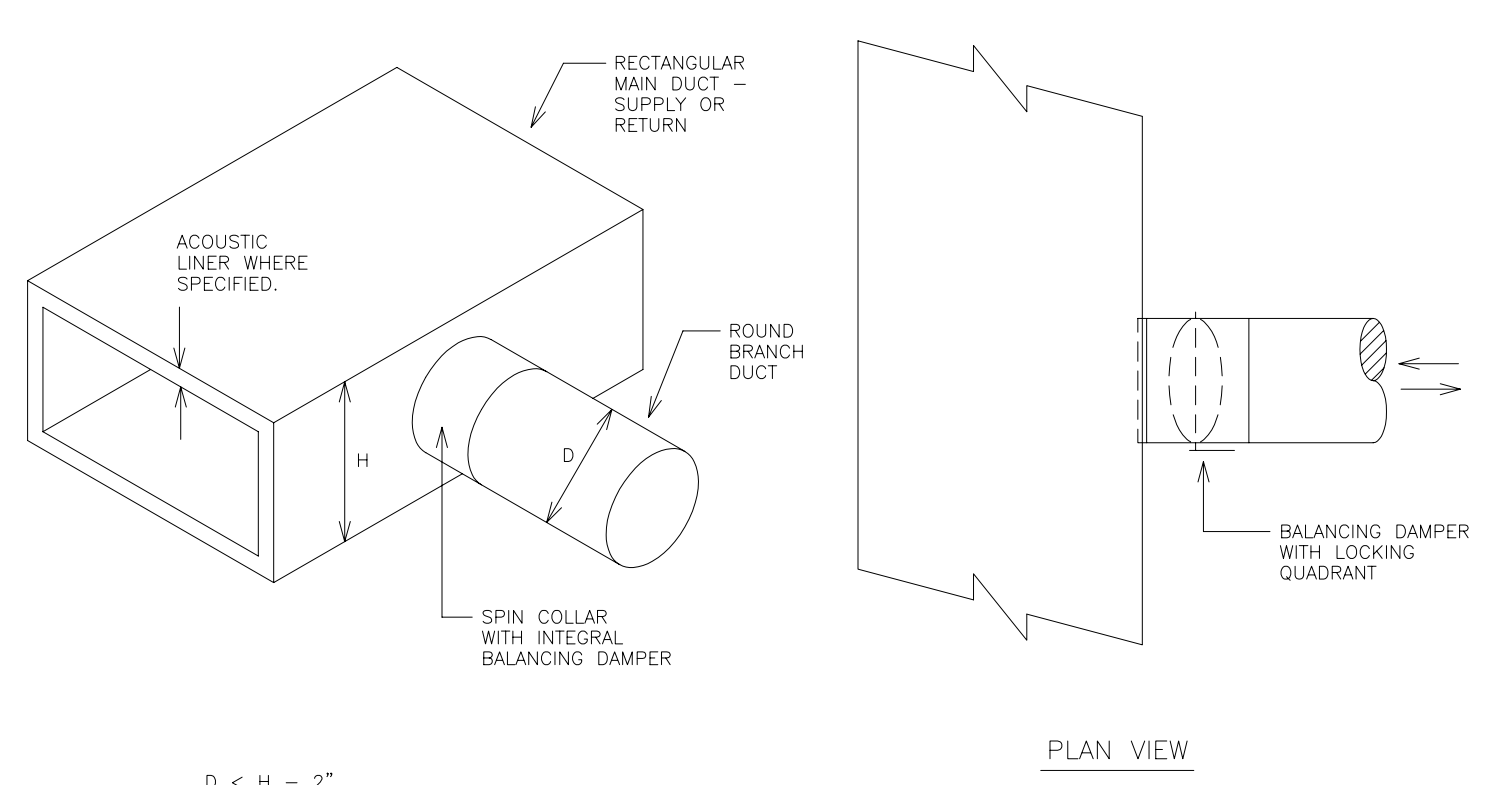
SPLITTER DAMPER DETAIL  
NO SCALE



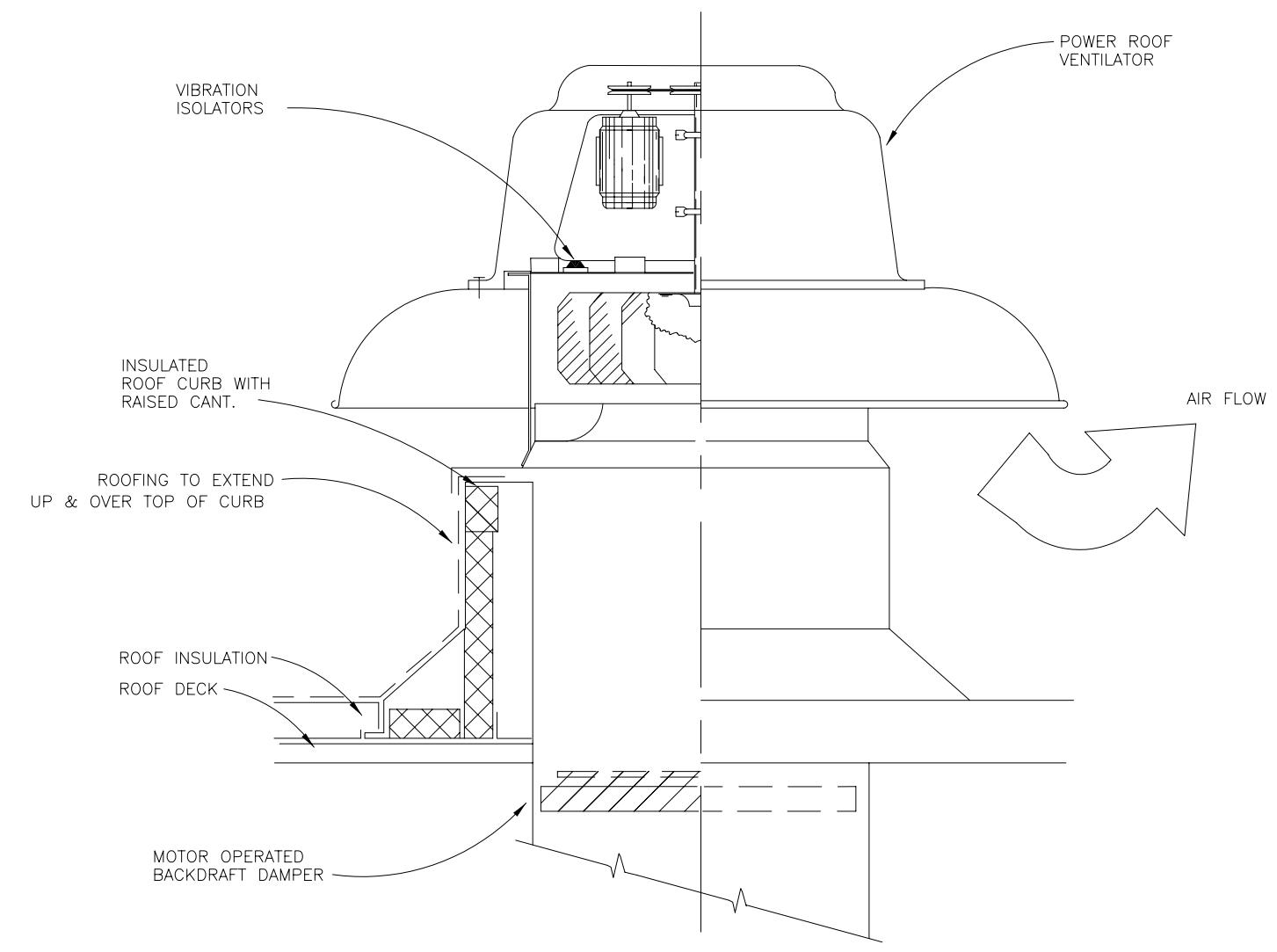
SUPPLY & RETURN BRANCH DAMPER DETAIL  
NO SCALE



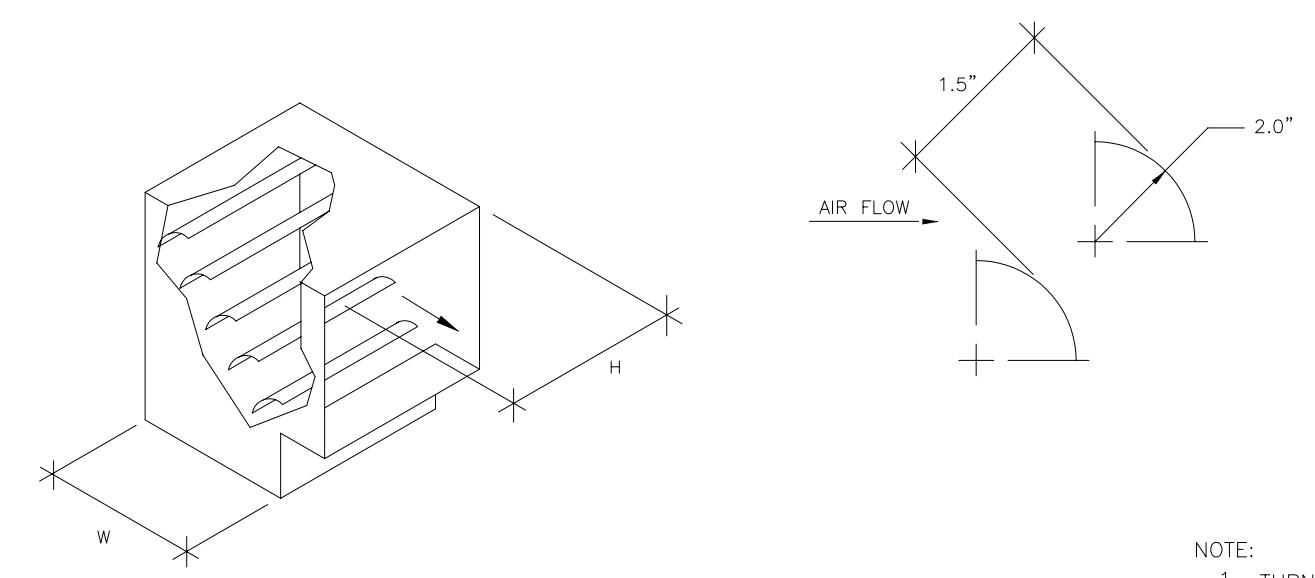
HUMIDIFIER DRAIN PAN DETAIL  
NO SCALE  
TYPICAL FOR PRESS ROOM & BINDERY UNITS



ROUND BRANCH DUCT DETAIL  
NO SCALE



ROOF MOUNTED EXHAUST FAN DETAIL  
NO SCALE



ELBOW WITH TURNING VANES DETAIL  
NO SCALE

REV.	DATE	DESCRIPTION
9-13-00		ISSUED FOR BIDDING & PERMITS
4/24/00		ISSUED FOR BIDDING

VENTILATION DETAIL SHEET

**tms** PLANNERS DESIGNERS ENGINEERS

2101 Hammond Drive Schaumburg, Illinois 60173  
Phone: 847-397-2100 Fax: 847-397-8980

**BROWN PRINTING**  
PRESS ROOM, BINDERY AND WAREHOUSE EXPANSION

11595 McCONNELL ROAD WOODSTOCK, ILLINOIS

DWN. BY	SCALE NONE	DWG. NO.
APP. BY	JOB NO. 6518/6523	V2.0
CKD. BY	DATE 4/14/00	